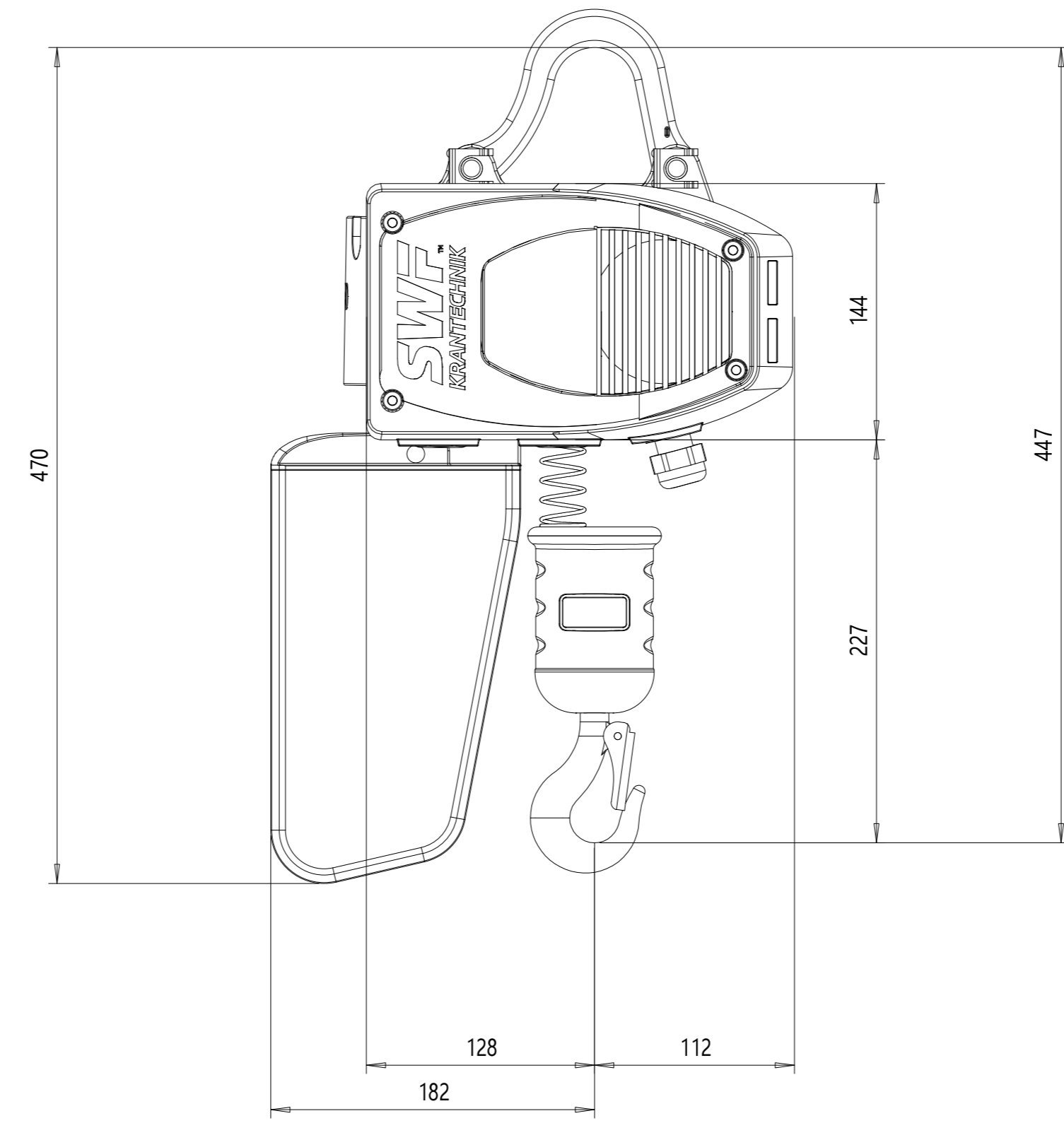
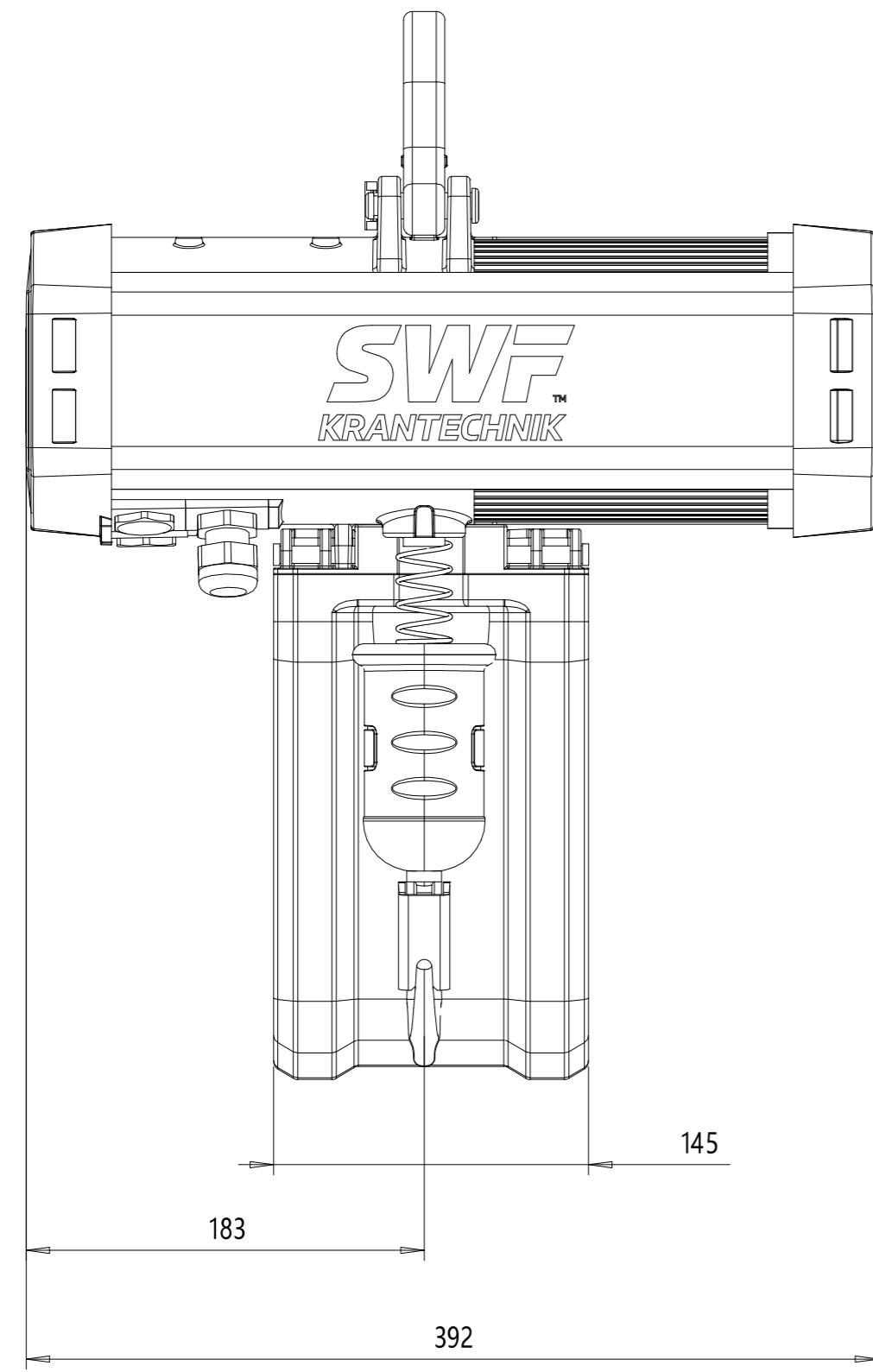


smij pa-000148-1-AA-045.2P-F-O-H

REV	MODIFICA DESCRIZIONE	ECN	DATA	REVISIONATO DA	APPROVATO DA
-----	----------------------	-----	------	----------------	--------------



**DATI TECNICI**

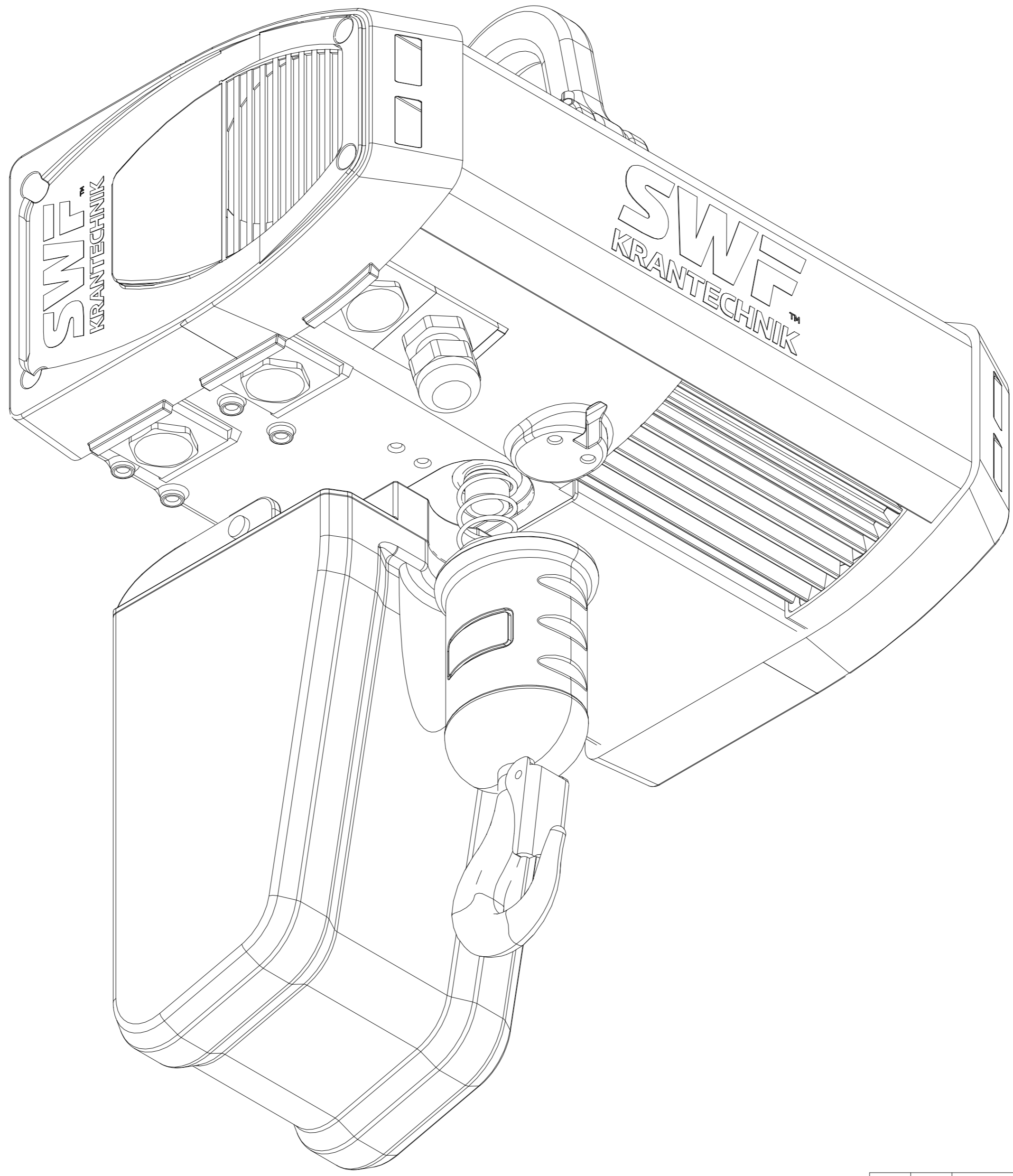
CARICO	: 500 kg
ALZATA GANCIO	: 3 m
VELOCITÀ DI SOLLEVAMENTO	: 4 / 1 m/min
PESO DEL CARRELLO	: 27 kg
CLASSE PARANCO	: M5
ALIMENTAZIONE ELETTRICA	: 400 / 48 V; 50 Hz

Pos	Totale	Descrizione	Specifiche			
	smij pa/italy		Chd	Appd	Ref disegno	DAS / M@ngo
	Progetto	2021.05.25	-	-	-	Vx proj
	Data		-	-	-	1:3
	Rep.		-	-	-	M-film
Doppio		<b>SWF KRANTECHNIK</b>	smij pa-000148-1-AA-045.2P-F-O-H			Scopo

SWF Krantechnik reserves the right to alter or amend the above information without notice.  
 This document and the information contained herein, is the exclusive property of SWF Krantechnik and represents a non-patentable  
 confidential and proprietary design secret. Any use, reproduction, or disclosure of this information in any form or by any means  
 without the express written consent of SWF Krantechnik GmbH. Copyright © SWF Krantechnik. All rights reserved.

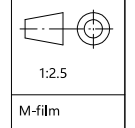
smij pa-000148-1-AA-045.2P-F-O-HI

REV	MODIFICA DESCRIZIONE	ECN	DATA	REVISIONATO DA	APPROVATO DA
-----	----------------------	-----	------	----------------	--------------



SWF Krantechnik reserves the right to alter or amend the above information without notice.  
 This document and the information contained herein, is the exclusive property of SWF Krantechnik and represents a non-patented  
 confidential and proprietary trade secret. It may not be reproduced, stored in a retrieval system, or transmitted in any  
 manner whatsoever without the express written consent of SWF Krantechnik GmbH. Copyright © SWF Krantechnik. All rights reserved.

Pos	Totale	Descrizione	Specifiche		
		smij pa/Italy			DAS / M@ngo
		Progetto	Chd	Appd	Ref disegno
		2021.05.25			Vx proj
		Data	-		
		Rep.	-		
		<b>SWF</b> KRANTECHNIK			
		smij pa-000148-1-AA-045.2P-F-O-HI			



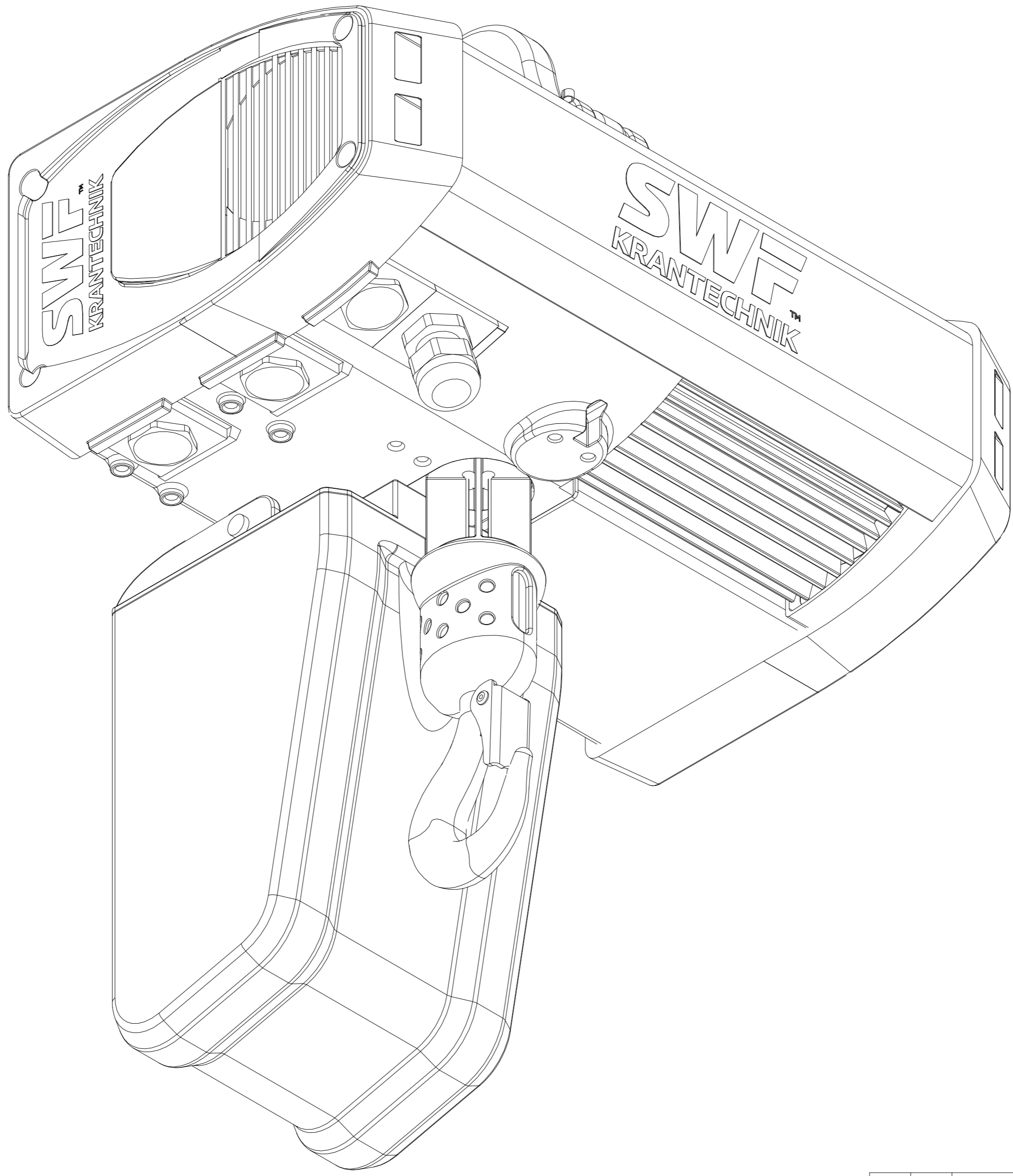
1:2.5  
M-film

Scope



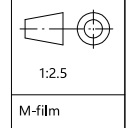
smij pa-000148-1-AA-085.1P-F-O-HI

REV	MODIFICA DESCRIZIONE	ECN	DATA	REVISIONATO DA	APPROVATO DA
-----	----------------------	-----	------	----------------	--------------



SWF Krantechnik reserves the right to alter or amend the above information without notice.  
 This document and the information contained herein, is the exclusive property of SWF Krantechnik and represents a non-patented  
 confidential and proprietary design secret may not be reproduced, stored in a retrieval system, or transmitted in any  
 manner whatsoever without the express written consent of SWF Krantechnik GmbH. Copyright © SWF Krantechnik. All rights reserved.

Pos	Totale	Descrizione	Specifiche		
		smij pa/Italy			DAS / M@ngo
		Progetto	Chd	Appd	Ref disegno
		2021.05.25			Vx proj
		Data	-		
		Rep.	-		
		<b>SWF</b> KRANTECHNIK™			
		smij pa-000148-1-AA-085.1P-F-O-HI			



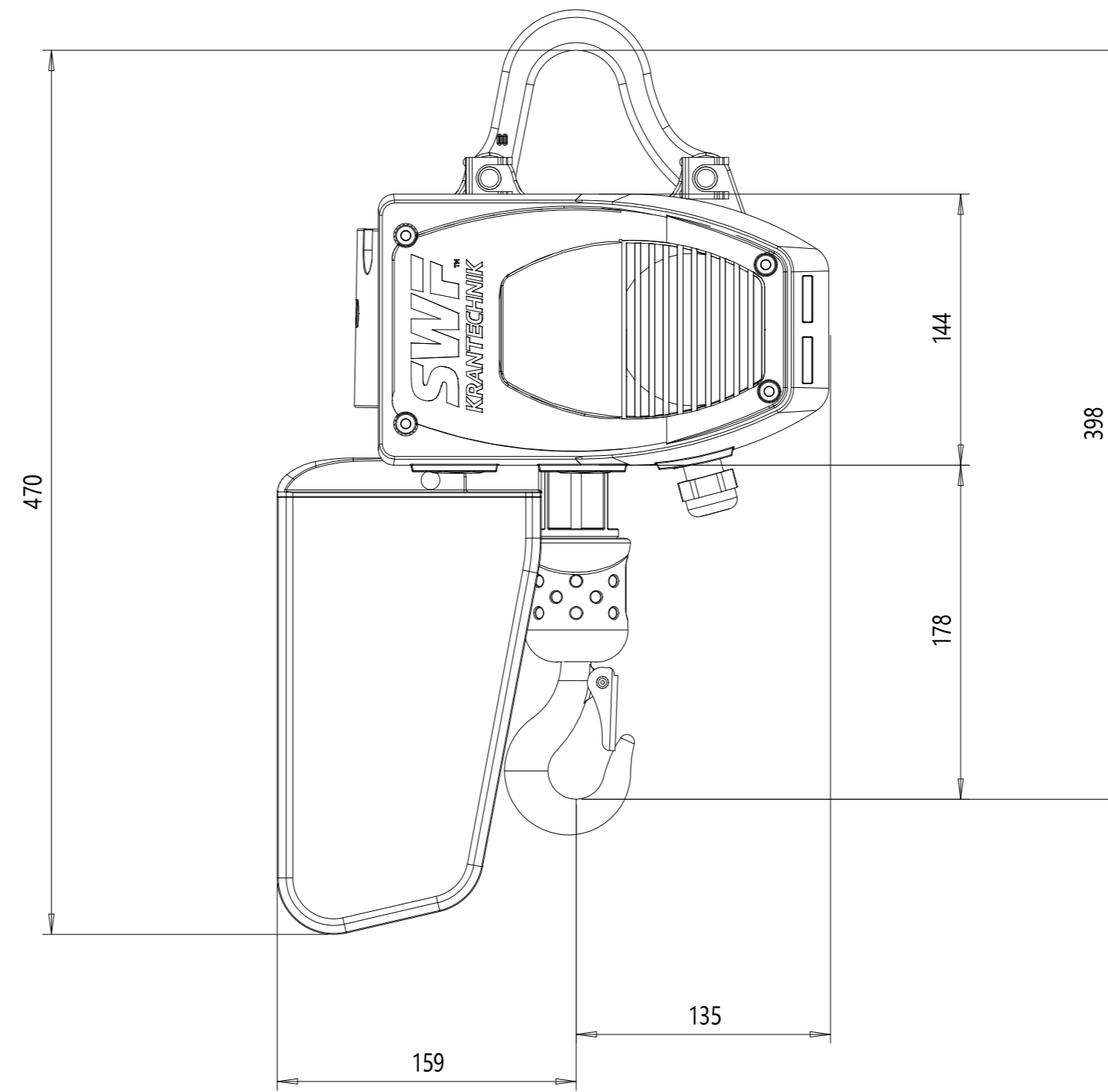
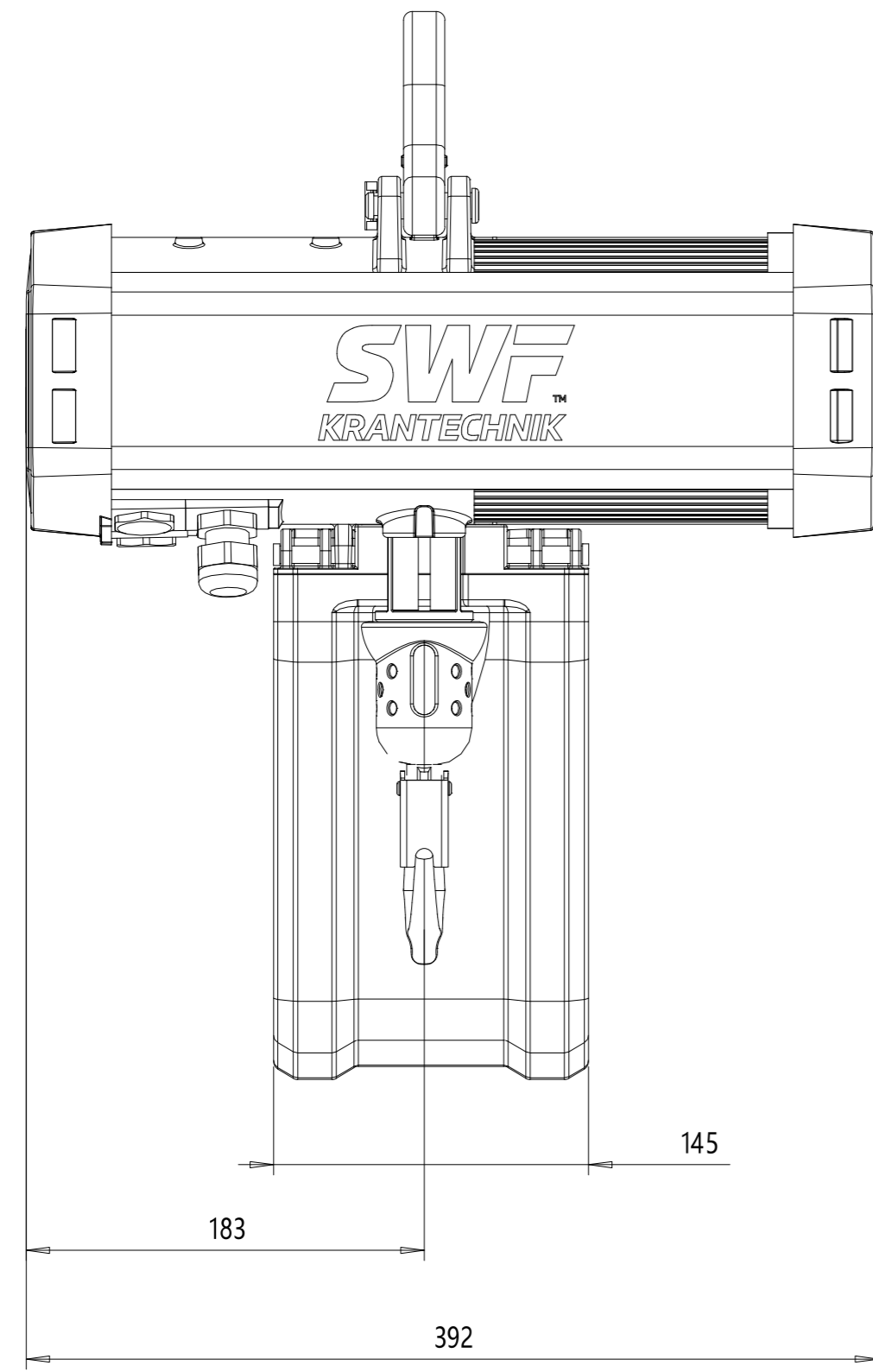
1:2.5

M-film

Scope

smij pa-000148-1-AA-086.1P-F-O-H

REV	MODIFICA DESCRIZIONE	ECN	DATA	REVISIONATO DA	APPROVATO DA
-----	----------------------	-----	------	----------------	--------------



**DATI TECNICI**

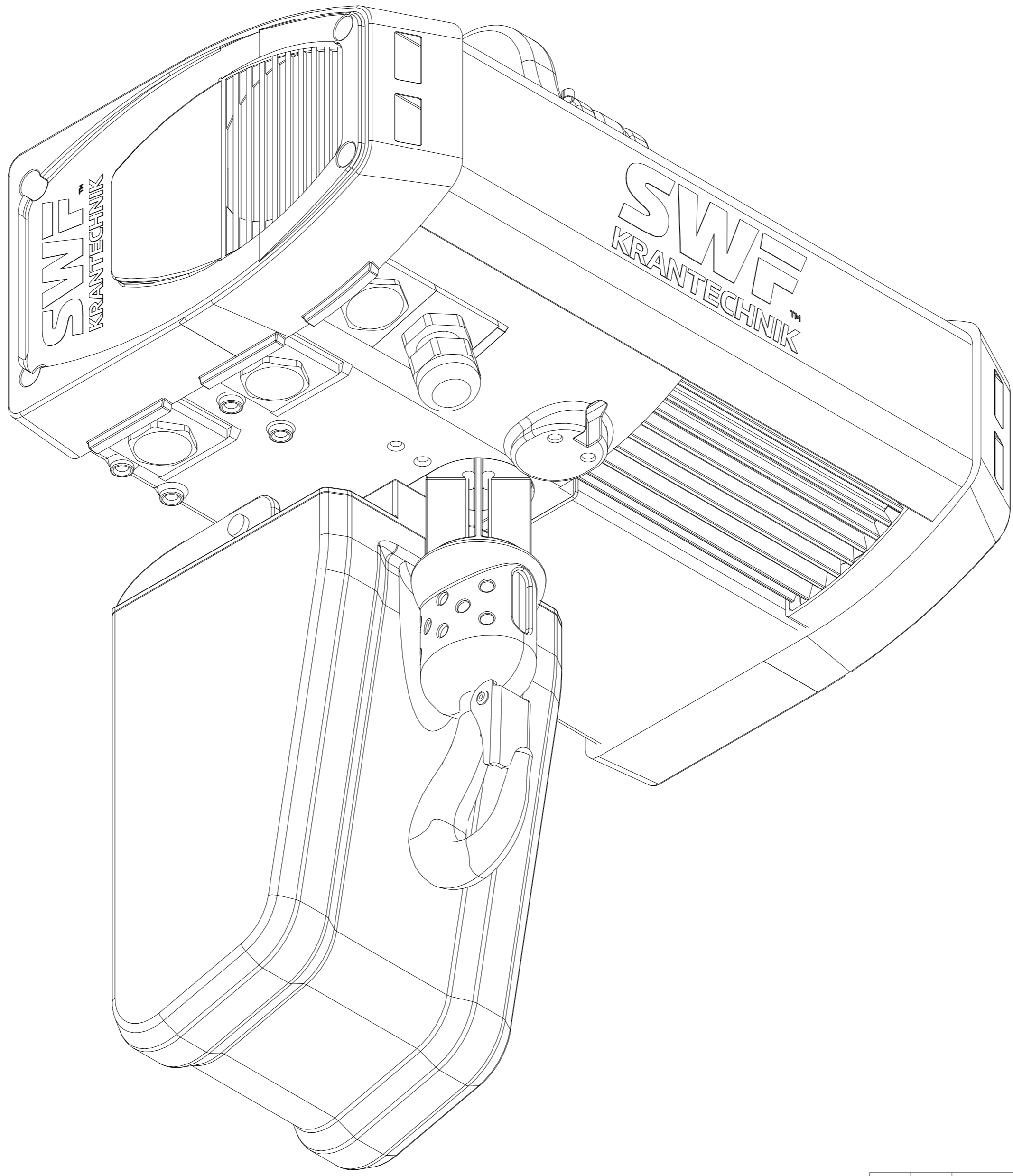
CARICO	: 125 kg
ALZATA GANCIO	: 3 m
VELOCITÀ DI SOLLEVAMENTO	: 8 / 2 m/min
PESO DEL CARRELLO	: 26 kg
CLASSE PARANCO	: M6
ALIMENTAZIONE ELETTRICA	: 400 / 48 V; 50 Hz

Pos	Totale	Descrizione	Specifiche		
	smij pa/italy		Chd	Appd	DAS / M@ngo
	Progetto	2021.05.25			Vx proj
	Data				
	Rep.				
Doppio		<b>SWF KRANTECHNIK</b>	smij pa-000148-1-AA-086.1P-F-O-H		

SWF Krantechnik reserves the right to alter or amend the above information without notice.  
 This document and the information contained herein, is the exclusive property of SWF Krantechnik and represents a non-patentable  
 confidential and proprietary design. Any use, reproduction, or disclosure of this information in any form, without the express written consent of SWF Krantechnik GmbH, Copyright © SWF Krantechnik. All rights reserved.

smij pa-000148-1-AA-086.1P-F-O-HI

REV	MODIFICA DESCRIZIONE	ECN	DATA	REVISIONATO DA	APPROVATO DA
-----	----------------------	-----	------	----------------	--------------

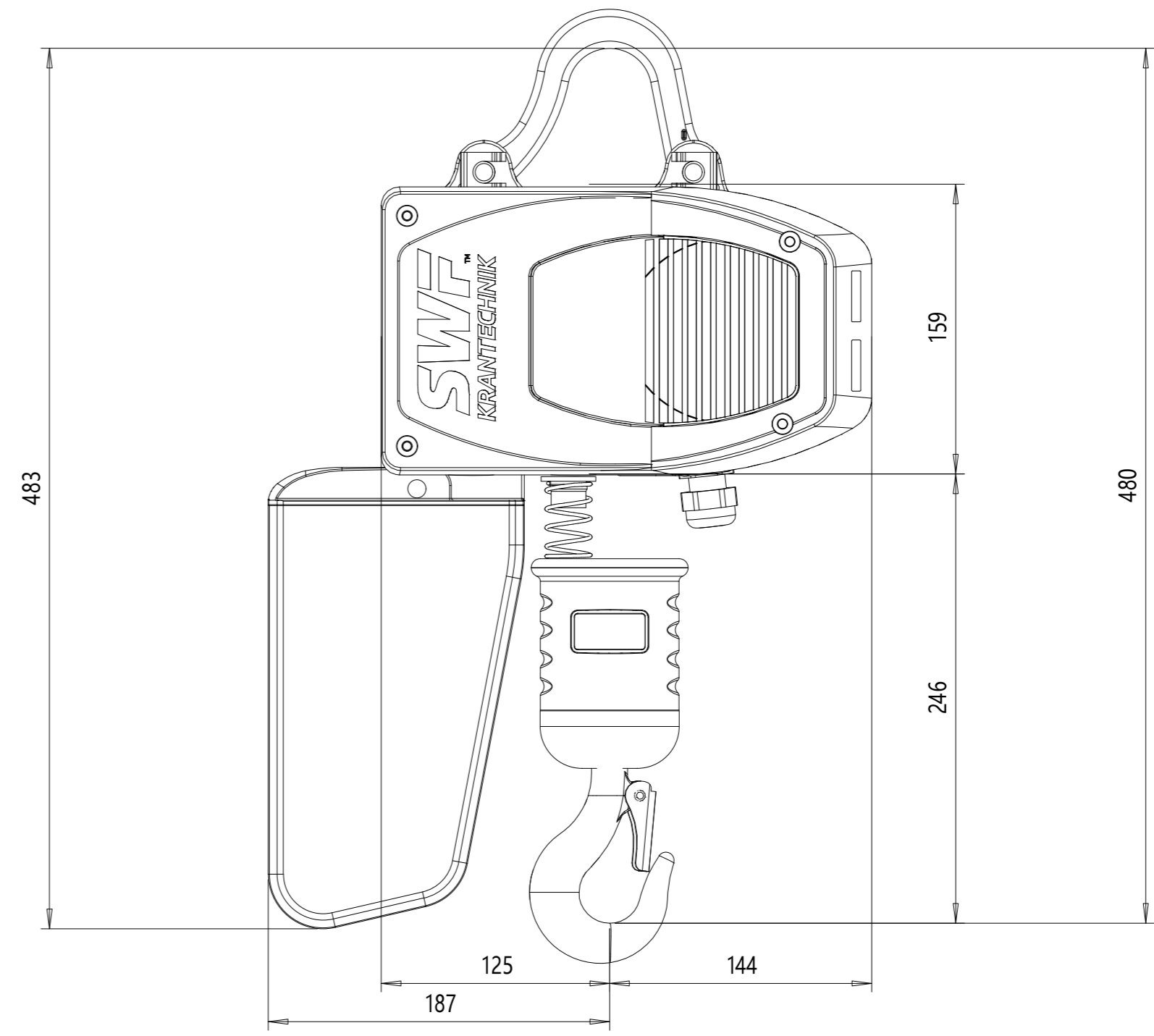
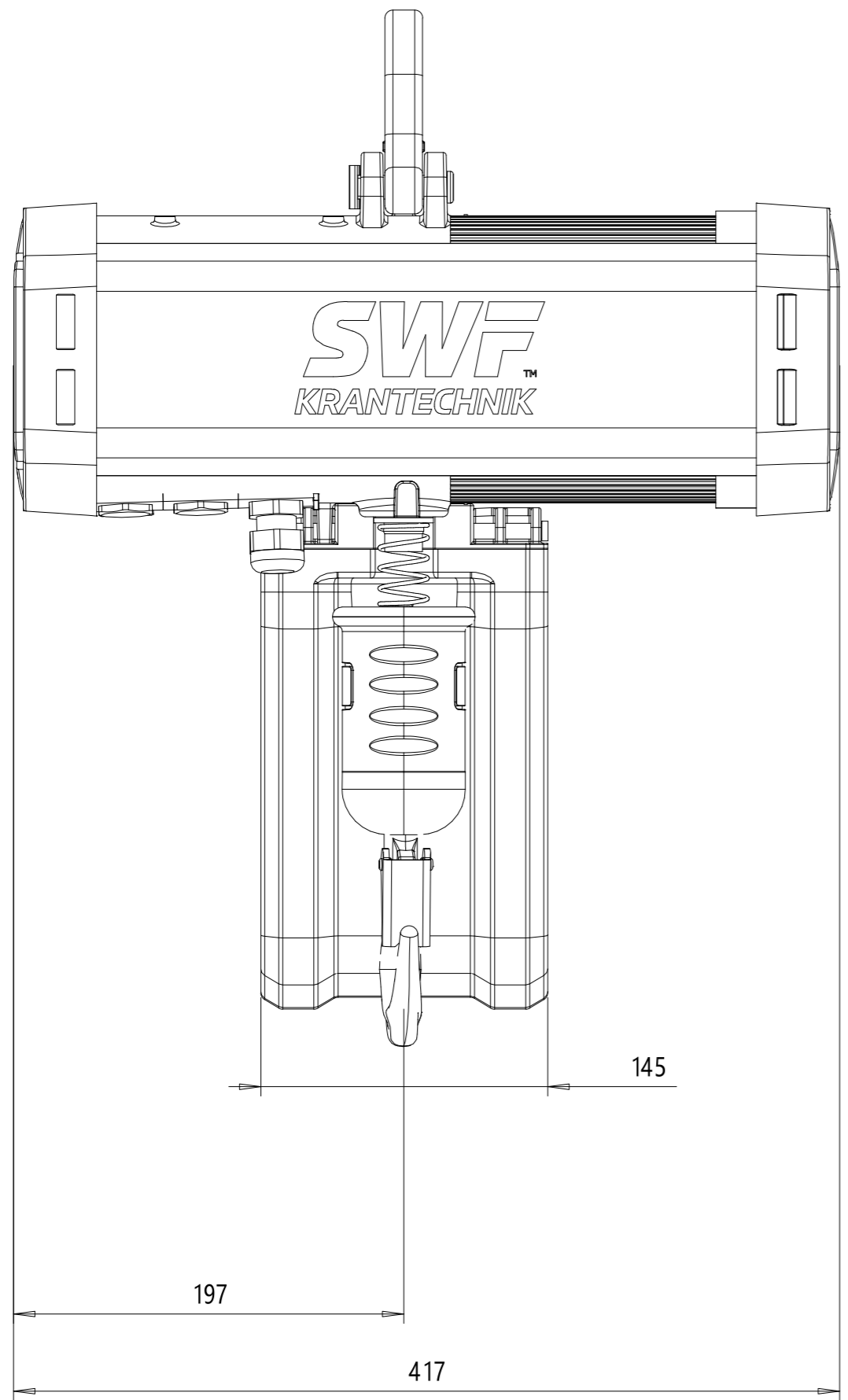


Pos	Totale	Descrizione	Specifiche		
		smij pa/Italy			DAS / M@ngo
		Progetto	Chd	Appd	Ref disegno
		2021.05.25			Vx proj
		Data	-		
		Rep.	-		
		<b>SWF</b> KRANTECHNIK			1:2.5
					M-film
					Scope
					smij pa-000148-1-AA-086.1P-F-O-HI

SWF Krantechnik reserves the right to alter or amend the above information without notice.  
 This document and the information contained herein, is the exclusive property of SWF Krantechnik and represents a non-patented  
 confidential and proprietary trade secret. It may not be reproduced, stored in a retrieval system, or transmitted in any  
 manner whatsoever without the express written consent of SWF Krantechnik GmbH. Copyright © SWF Krantechnik. All rights reserved.

smij pa-000148-1-AB-045.2P-F-O-H

REV	MODIFICA	DESCRIZIONE	ECN	DATA	REVISIONATO DA	APPROVATO DA
-----	----------	-------------	-----	------	----------------	--------------



**DATI TECNICI**

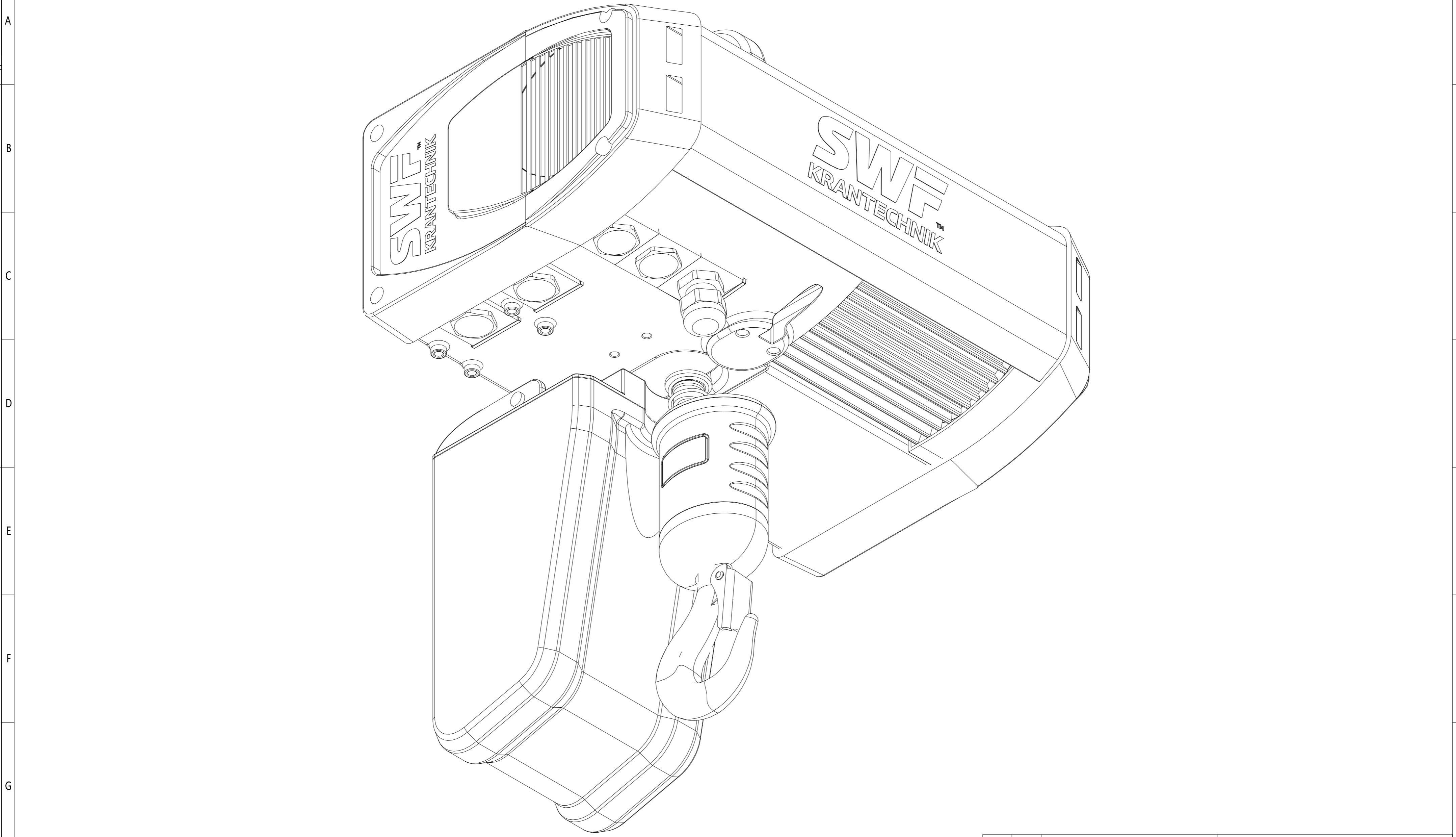
CARICO	: 1000 kg
ALZATA GANCIO	: 3 m
VELOCITÀ DI SOLLEVAMENTO	: 4 / 1 m/min
PESO DEL CARRELLO	: 34 kg
CLASSE PARANCO	: M5
ALIMENTAZIONE ELETTRICA	: 400 / 48 V; 50 Hz

Pos	Totale	Descrizione	Specifiche			
	smij pa/italy		Chd	Appd	Ref disegno	DAS / M@ngo
	Progetto	2021.05.25	-	-	-	Vx proj
	Data		-	-	-	1:3
	Rep.		-	-	-	M-film
Doppio		<b>SWF KRANTECHNIK</b>	smij pa-000148-1-AB-045.2P-F-O-H			Scopo

SWF Krantechnik reserves the right to alter or amend the above information without notice.  
 This document and the information contained herein, is the exclusive property of SWF Krantechnik and represents a non-patentable  
 concept and procedure. The design and construction of any part or assembly of this product shall be the property of SWF Krantechnik. All rights reserved.  
 name whatsoever without the express written consent of SWF Krantechnik GmbH. Copyright © SWF Krantechnik. All rights reserved.

smij pa-000148-1-AB-045.2P-F-O-HI

REV	MODIFICA DESCRIZIONE	ECN	DATA	REVISIONATO DA	APPROVATO DA
-----	----------------------	-----	------	----------------	--------------



SWF Krantechnik reserves the right to alter or amend the above information without notice.  
 This document and the information contained herein, is the exclusive property of SWF Krantechnik and represents a non-patented  
 confidential and proprietary trade secret. It may not be reproduced, stored in a retrieval system, or transmitted in any  
 manner whatsoever without the express written consent of SWF Krantechnik GmbH. Copyright © SWF Krantechnik. All rights reserved.

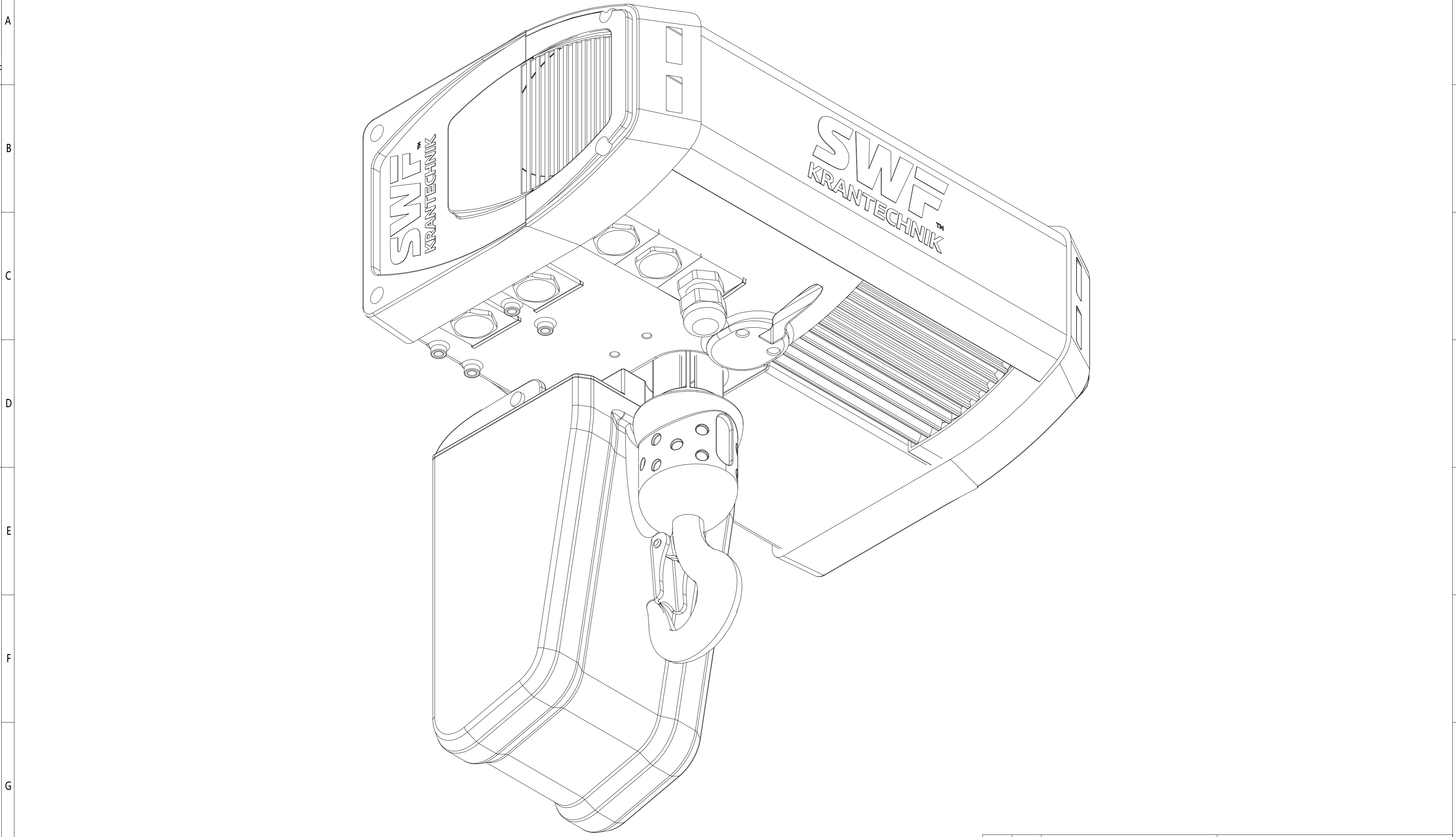
Pos	Totale	Descrizione	Specifiche		
		smij pa/Italy			DAS / M@ngo
		Progetto	Chd	Appd	Ref disegno
		2021.05.25			Vx proj
		Data	-		
		Rep.	-		
		<b>SWF</b> KRANTECHNIK™			
		smij pa-000148-1-AB-045.2P-F-O-HI			
					1:2.5
					M-film
					Scope





smij pa-000148-1-AB-085.1P-F-O-HI

REV	MODIFICA DESCRIZIONE	ECN	DATA	REVISIONATO DA	APPROVATO DA
-----	----------------------	-----	------	----------------	--------------

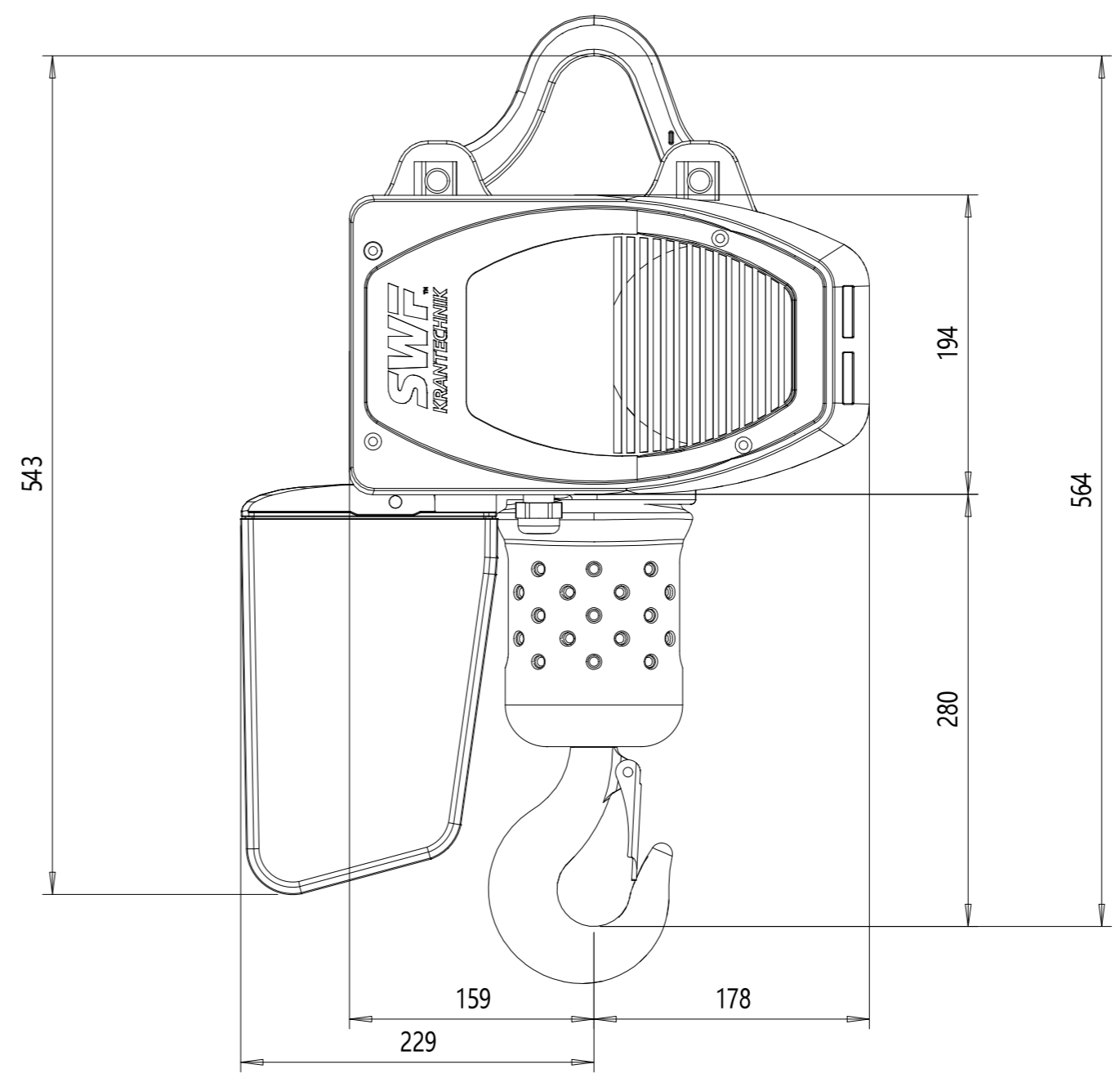
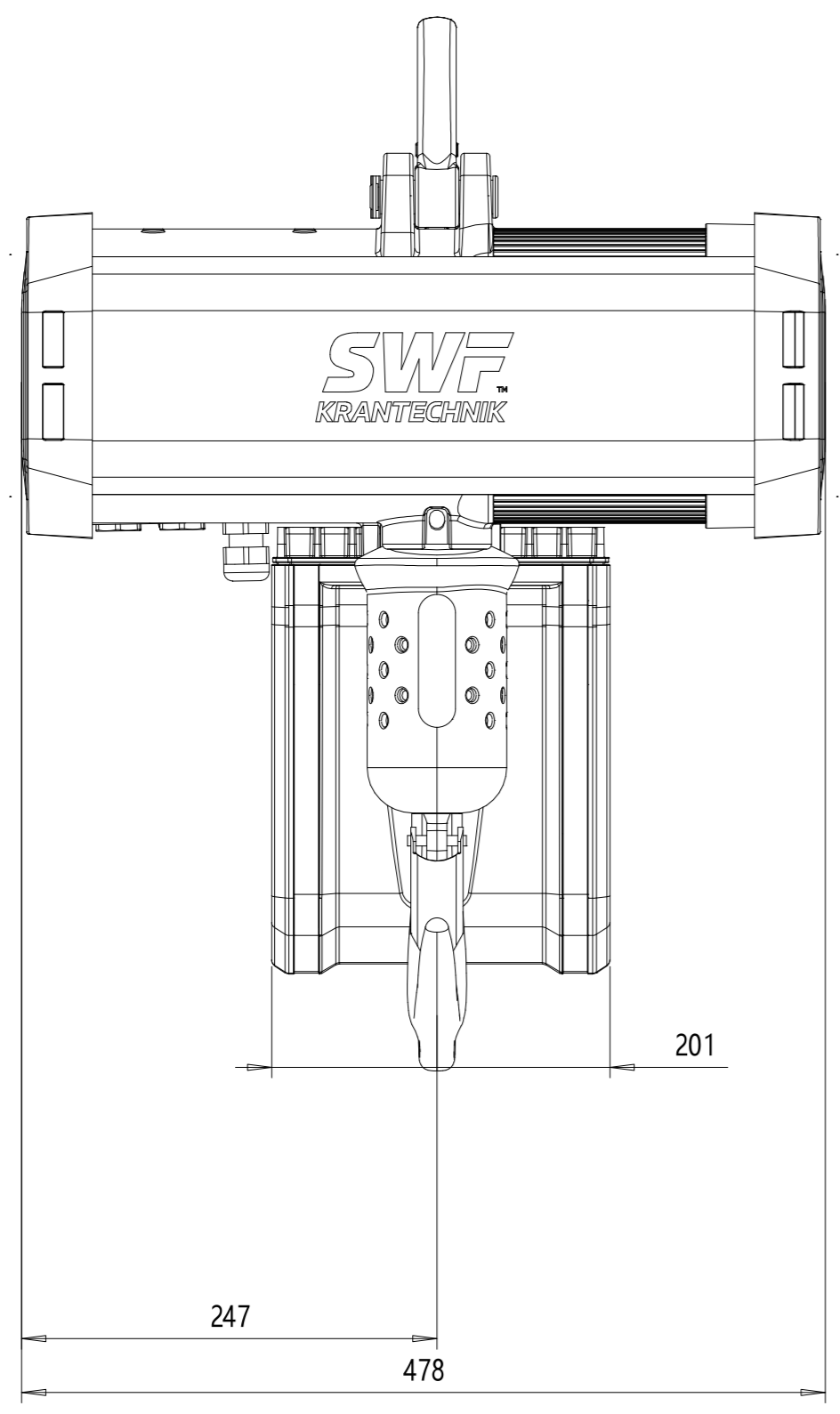


SWF Krantechnik reserves the right to alter or amend the above information without notice.  
 This document and the information contained herein, is the exclusive property of SWF Krantechnik and represents a non-patented  
 confidential and proprietary trade secret. It may not be reproduced, stored in a retrieval system, or transmitted in any  
 manner whatsoever without the express written consent of SWF Krantechnik GmbH. Copyright © SWF Krantechnik. All rights reserved.

Pos	Totale	Descrizione	Specifiche		
		smij pa/Italy			DAS / M@ngo
		Progetto	Chd	Appd	Ref disegno
		2021.05.25			Vx proj
		Data	-		
		Rep.	-		
		<b>SWF</b> KRANTECHNIK™			
		smij pa-000148-1-AB-085.1P-F-O-HI			
					1:2.5
					M-film
					Scope

smij pa-000148-1-AC-045.2P-F-O-H

REV	MODIFICA DESCRIZIONE	ECN	DATA	REVISIONATO DA	APPROVATO DA
-----	----------------------	-----	------	----------------	--------------



**DATI TECNICI**

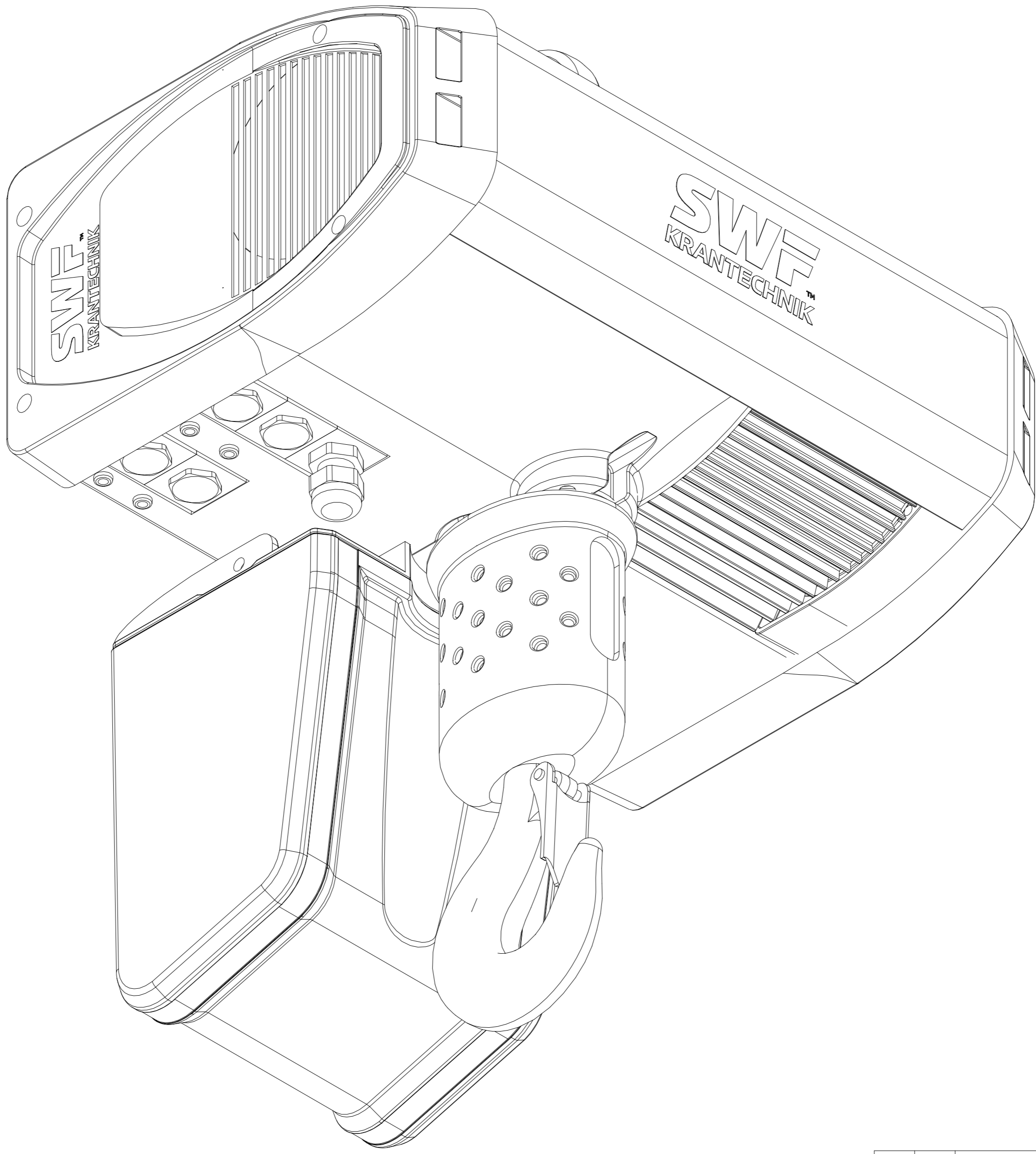
CARICO	: 2000 kg
ALZATA GANCIO	: 3 m
VELOCITÀ DI SOLLEVAMENTO	: 4 / 1 m/min
PESO DEL CARRELLO	: 59 kg
CLASSE PARANCO	: M5
ALIMENTAZIONE ELETTRICA	: 400 / 48 V, 50 Hz

Pos	Totale	Descrizione	Specifiche		
		smij pa/Italy	Chd	Appd	DAS / M@ngo
		Progetto			Vx proj
		2021.05.25			
		Data			
		Rep.			
Doppio		<b>SWF</b> KRANTECHNIK™		smij pa-000148-1-AC-045.2P-F-O-H	
					Scopo

SWF Krantechnik reserves the right to alter or amend the above information without notice.  
 This drawing and the information contained herein, is the exclusive property of SWF Krantechnik and represents a non-public  
 confidential and proprietary information. It is intended for the use of the recipient only. No part of this drawing, or the information  
 contained herein, may be reproduced, stored in a retrieval system, or transmitted in any form or by any means, electronic, mechanical,  
 photocopying, recording, or by any information storage and retrieval system, without the express written consent of SWF Krantechnik GmbH. Copyright © SWF Krantechnik. All rights reserved.

smij pa-000148-1-AC-045.2P-F-O-HI

REV	MODIFICA DESCRIZIONE	ECN	DATA	REVISIONATO DA	APPROVATO DA
-----	----------------------	-----	------	----------------	--------------



Pos	Totale	Descrizione	Specifiche		
		smij pa/Italy			DAS / M@ngo
		Progetto	Chd	Appd	Ref disegno
		2021.05.25			Vx proj
		Data	-		
		Rep.	-		
		<b>SWF</b> KRANTECHNIK™			
		smij pa-000148-1-AC-045.2P-F-O-HI			
					1:2.5
					M-film
					Scope

SWF Krantechnik reserves the right to alter or amend the above information without notice.  
 This document and the information contained herein is the exclusive property of SWF Krantechnik and represents a non-patented  
 confidential and proprietary trade secret. It may not be reproduced, stored in a retrieval system, or transmitted in any  
 manner whatsoever without the express written consent of SWF Krantechnik GmbH. Copyright © SWF Krantechnik. All rights reserved.