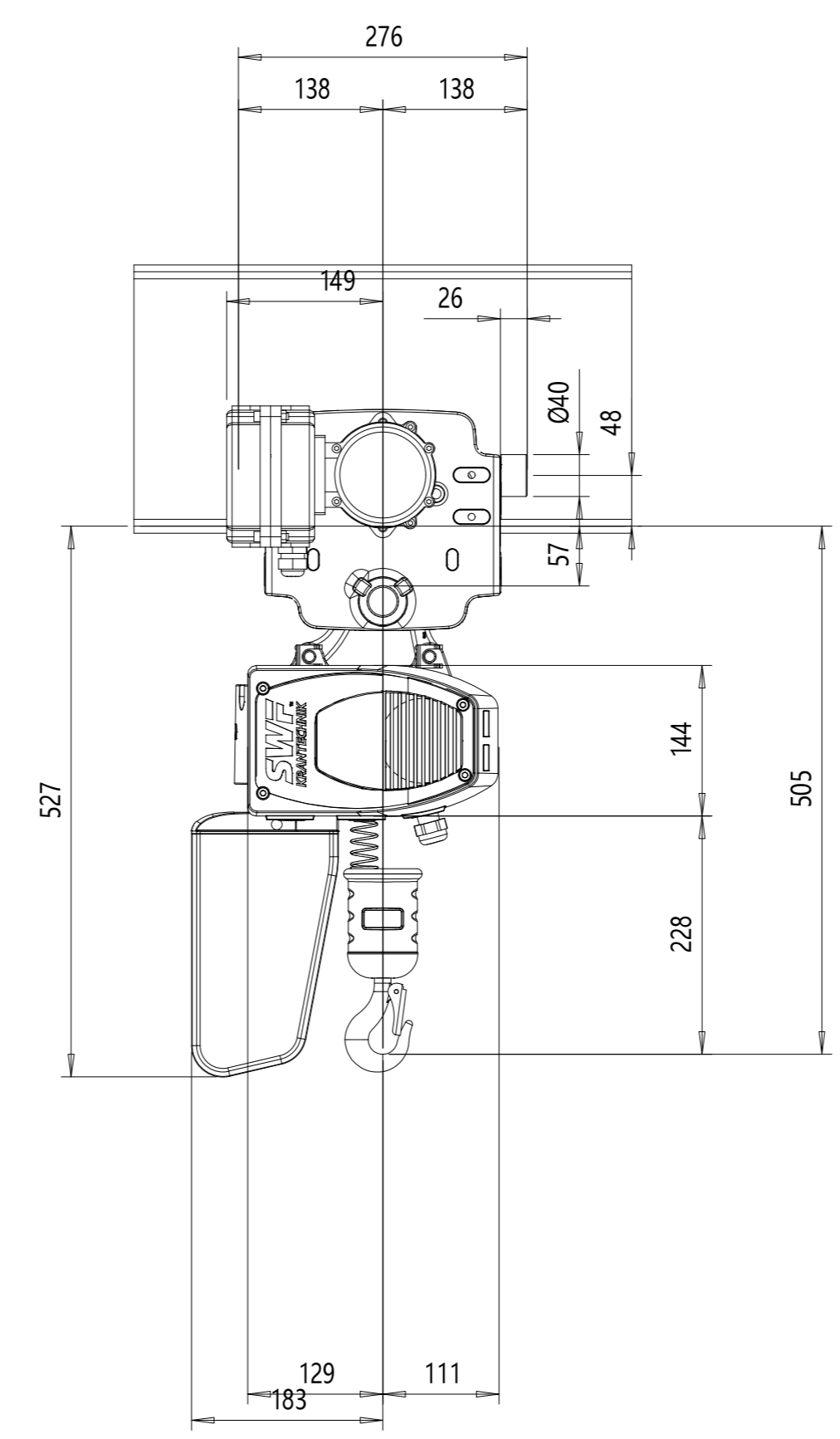
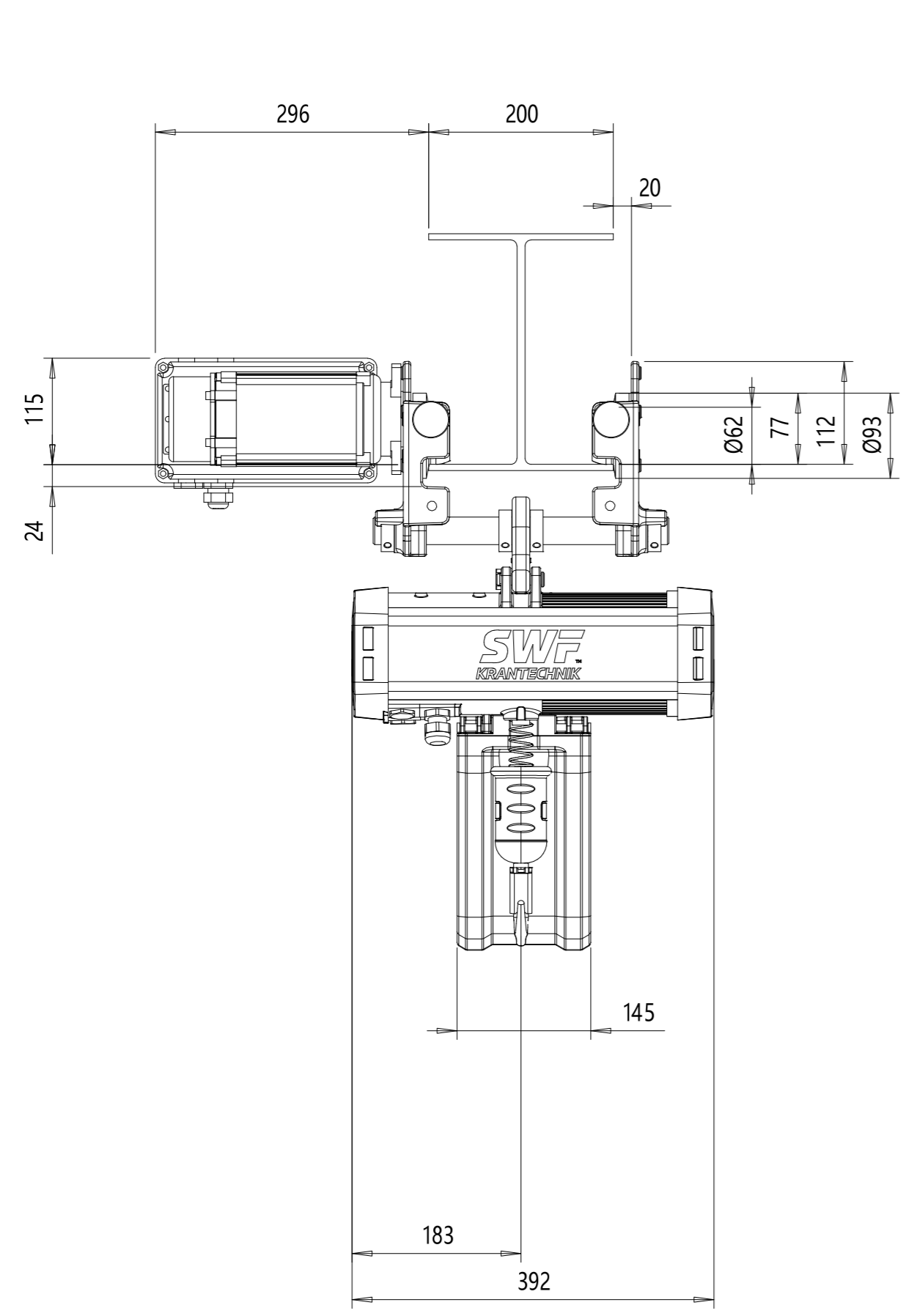


smij pa-000150-1-AA-045.2P-N-O-H

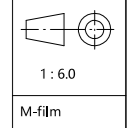
REV	MODIFICA DESCRIZIONE	ECN	DATA	REVISIONATO DA	APPROVATO DA
-----	----------------------	-----	------	----------------	--------------



DATI TECNICI	
CARICO	: 500 kg
ALZATA GANCIO	: 3 m
VELOCITÀ DI SOLLEVAMENTO	: 4 / 1 m/min
VELOCITÀ DI TRASLAZIONE	: Inverter 2 Steps: 20/5 m/min
PESO DEL CARRELLO	: 50 kg
CLASSE PARANCO	: M5
ALIMENTAZIONE ELETTRICA	: 400 / 48 V; 50 Hz

Pos	Totale	Descrizione	Specifiche	
		smij pa/Italy		DAS / M@ngo
		Progetto	Chd	Vx proj
		2021.06.10	Appd	Ref disegno
		Data		
		Rep.		
		SWF KRANTECHNIK		
		smij pa-000150-1-AA-045.2P-N-O-H		

SWF Krantechnik reserves the right to alter or amend the above information without notice. This document and its contents are confidential and proprietary trade secret that may not be reproduced, disclosed to third parties, altered or otherwise employed in any manner whatsoever without the express written consent of SWF Krantechnik GmbH. Copyright © SWF Krantechnik. All rights reserved.

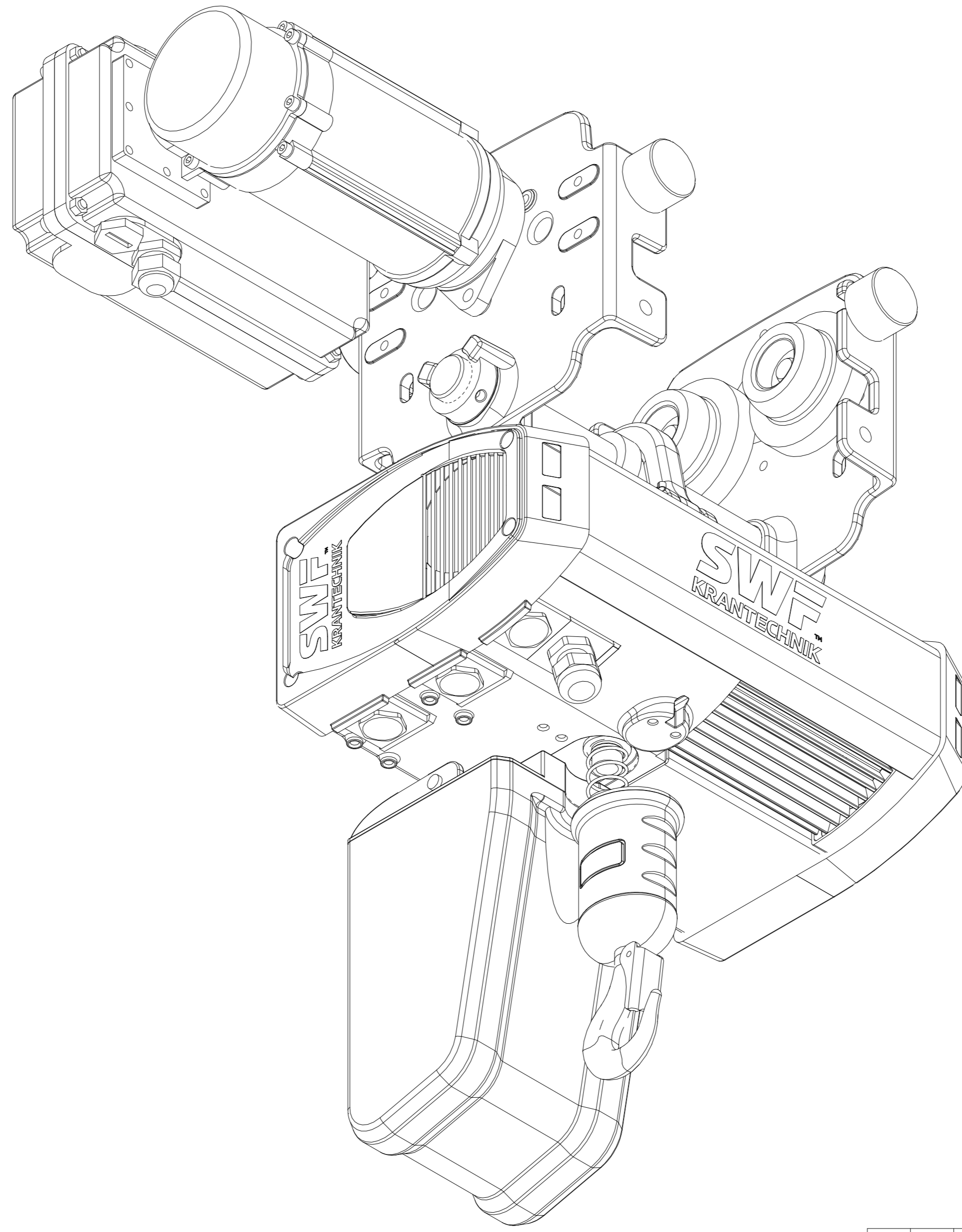


M-Film

Scopo

smij pa-000150-1-AA-045.2P-N-O-HI

REV	MODIFICA DESCRIZIONE	ECN	DATA	REVISIONATO DA	APPROVATO DA
-----	----------------------	-----	------	----------------	--------------



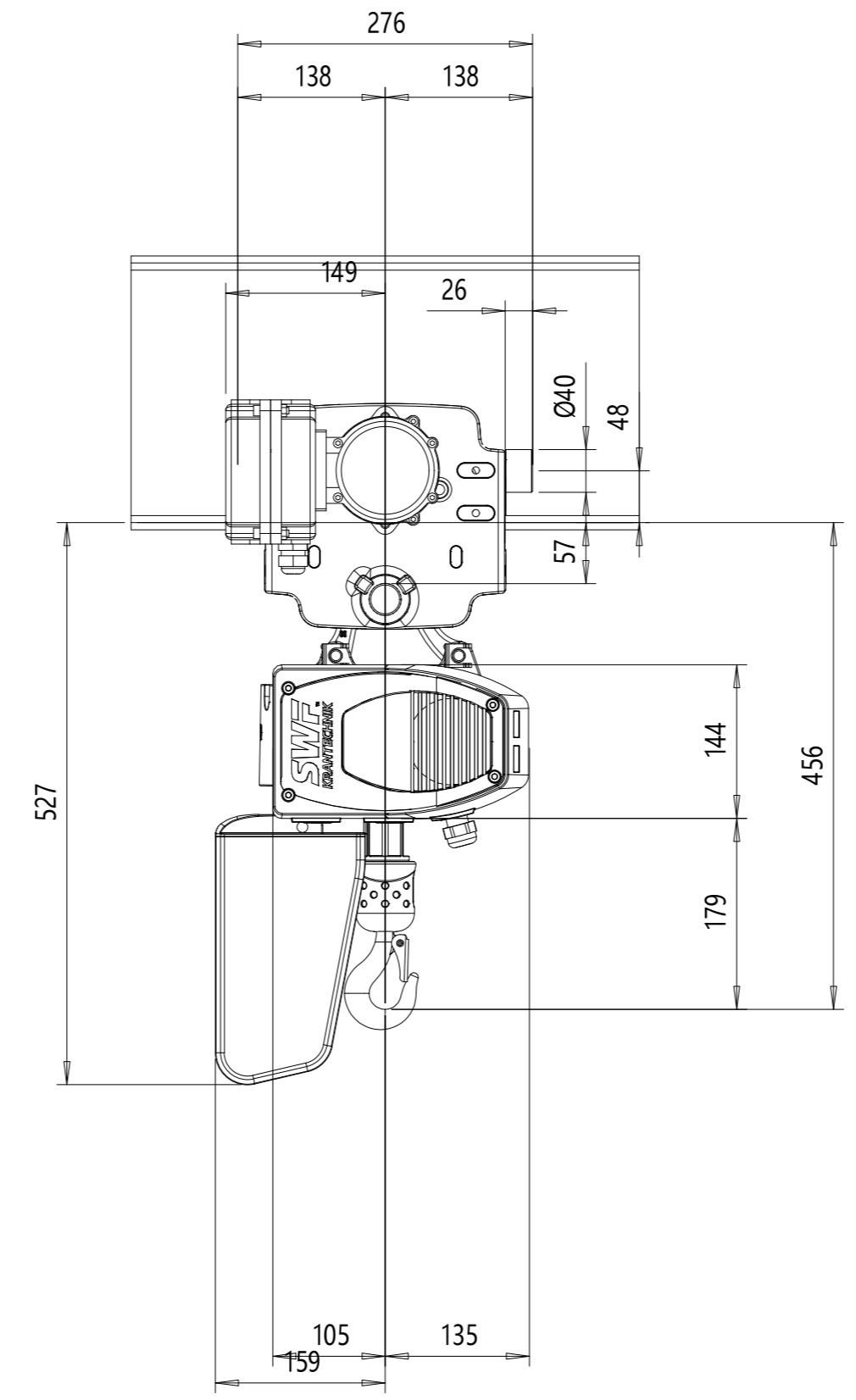
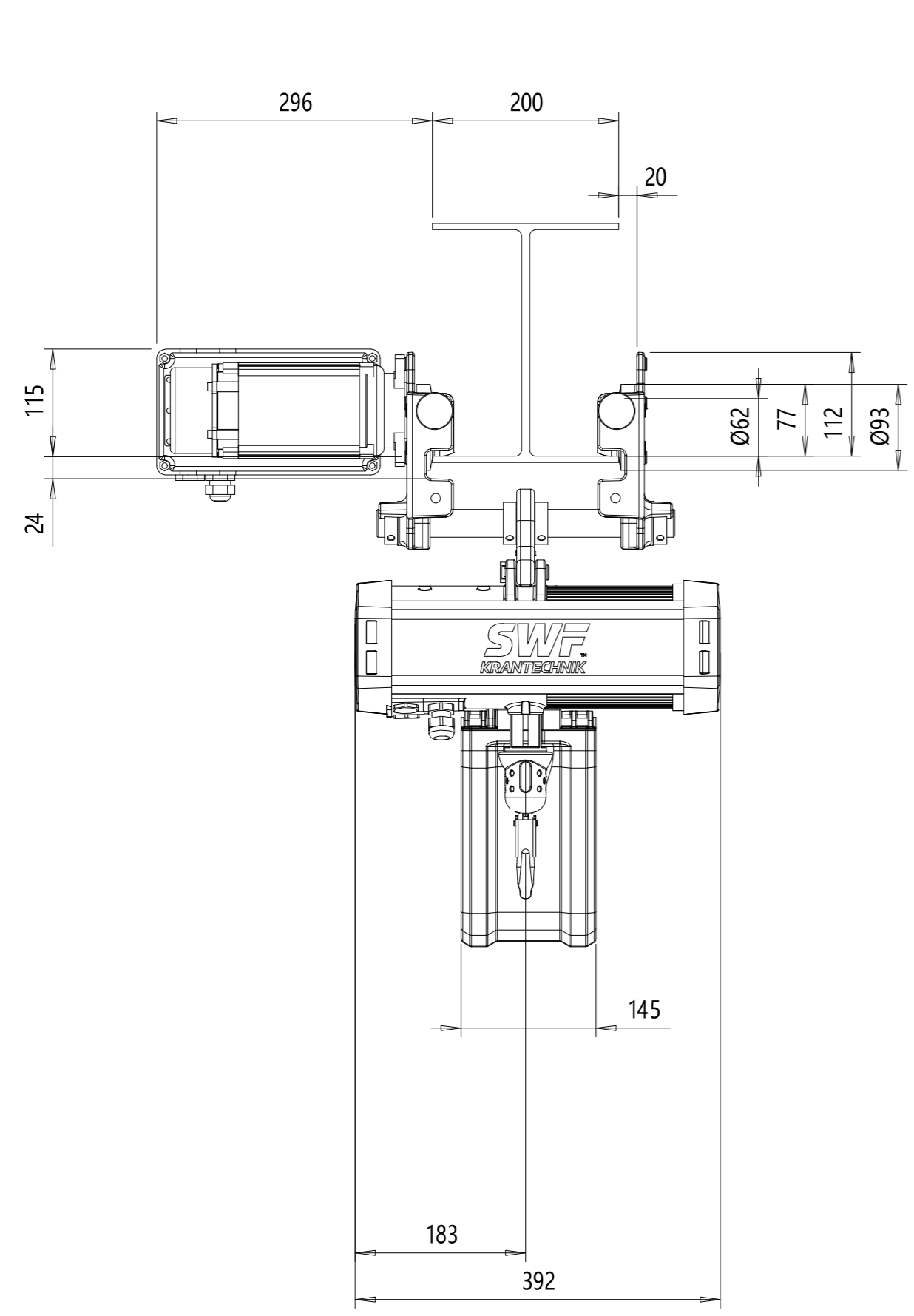
SWF Krantechnik reserves the right to alter or amend the above information without notice.
 This document and the information contained herein, is the exclusive property of SWF Krantechnik and represents a non-patented
 confidential and proprietary trade secret. It may not be reproduced, stored in a retrieval system, or transmitted in any
 manner whatsoever without the express written consent of SWF Krantechnik GmbH. Copyright © SWF Krantechnik. All rights reserved.

Pos	Totale	Descrizione	Specifiche		
		smij pa/Italy			DAS / M@ngo
		Progetto	Chd	Appd	Ref disegno
		2021.06.10			Vx proj
		Data	-		
		Rep.	-		
		SWF KRANTECHNIK™			
		smij pa-000150-1-AA-045.2P-N-O-HI			

1:2.5
 M-41m
 Scope

smij pa-000150-1-AA-085.1P-N-O-H

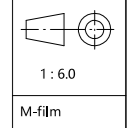
REV	MODIFICA DESCRIZIONE	ECN	DATA	REVISIONATO DA	APPROVATO DA
-----	----------------------	-----	------	----------------	--------------



DATI TECNICI	
CARICO	: 250 kg
ALZATA GANCIO	: 3 m
VELOCITÀ DI SOLLEVAMENTO	: 8 / 2 m/min
VELOCITÀ DI TRASLAZIONE	: Inverter 2 Steps:20/5 m/min
PESO DEL CARRELLO	: 49 kg
CLASSE PARANCO	: M5
ALIMENTAZIONE ELETTRICA	: 400 / 48 V; 50 Hz

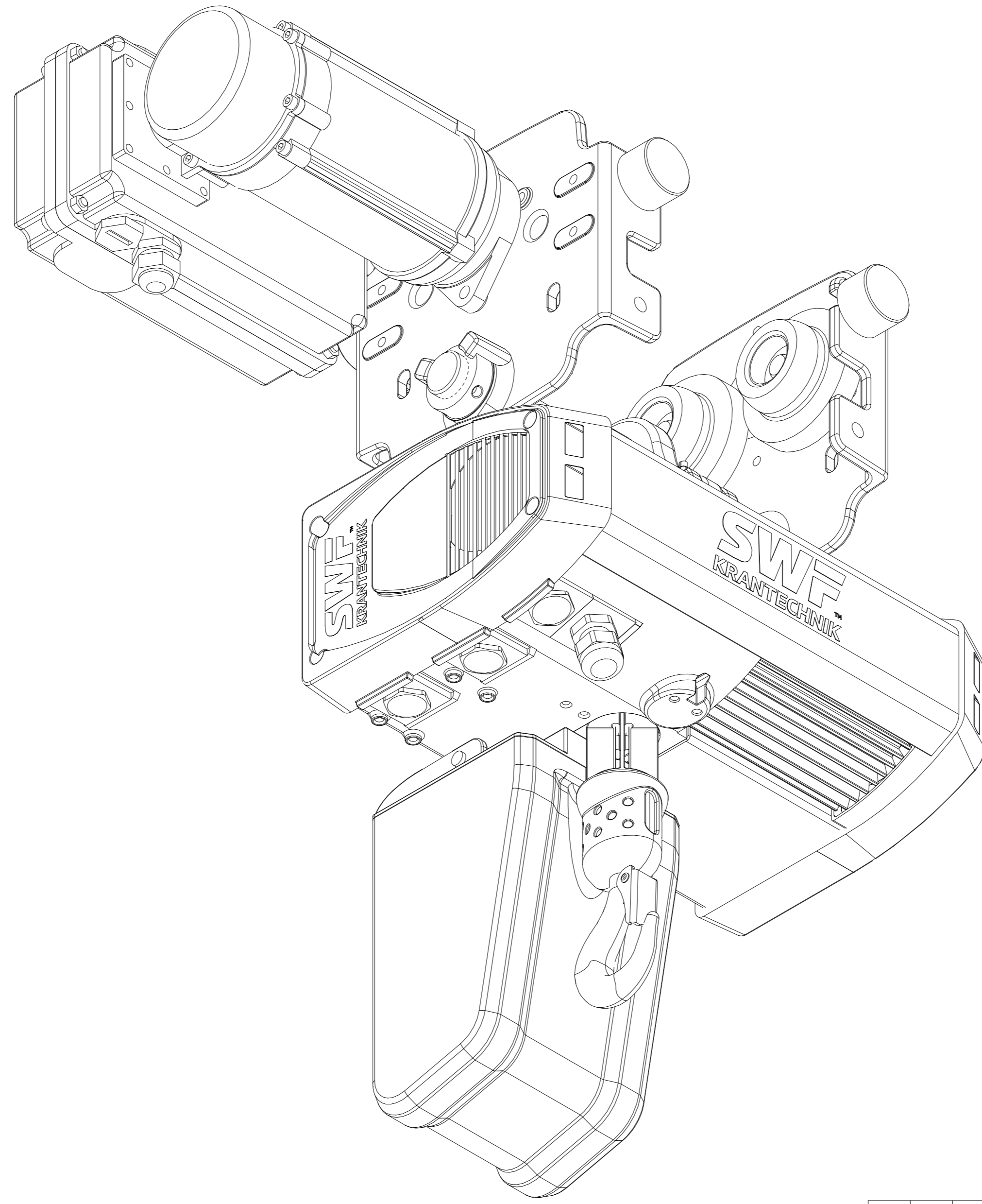
Pos	Totale	Descrizione	Specifiche	
		smij pa/Italy		DAS / M@ngo
		Progetto	Chd	Vx proj
		2021.06.10	Appd	Ref disegno
		Data		
		Rep.		
Doppio		SWF KRANTECHNIK™		Scopo
		smij pa-000150-1-AA-085.1P-N-O-H		

SWF Krantechnik reserves the right to alter or amend the above information without notice. This document and its contents are confidential and proprietary trade secret that may not be reproduced, disclosed to third parties, altered or otherwise employed in any manner whatsoever without the express written consent of SWF Krantechnik GmbH. Copyright © SWF Krantechnik. All rights reserved.



smij pa-000150-1-AA-085.1P-N-O-HI

REV	MODIFICA DESCRIZIONE	ECN	DATA	REVISIONATO DA	APPROVATO DA
-----	----------------------	-----	------	----------------	--------------

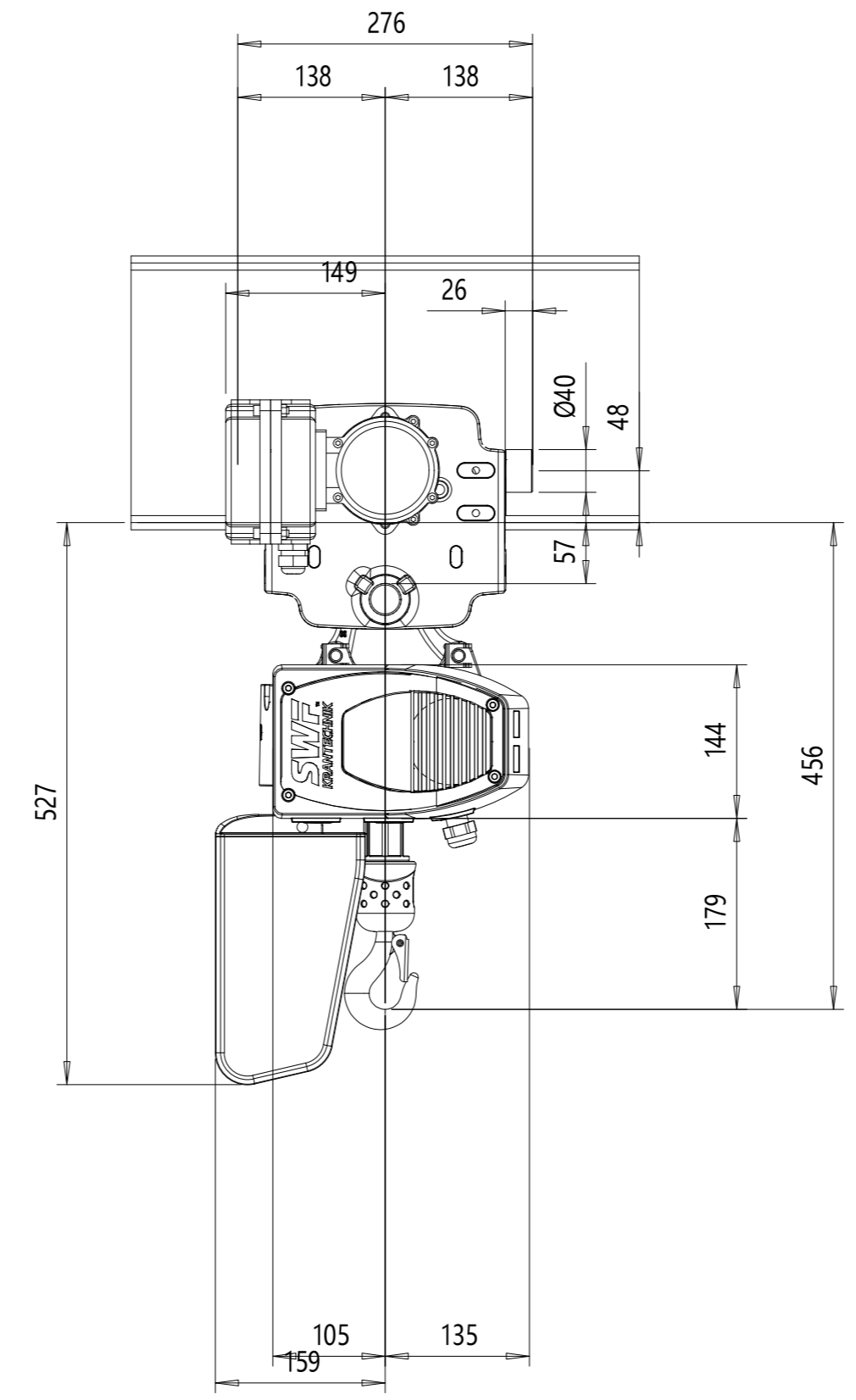
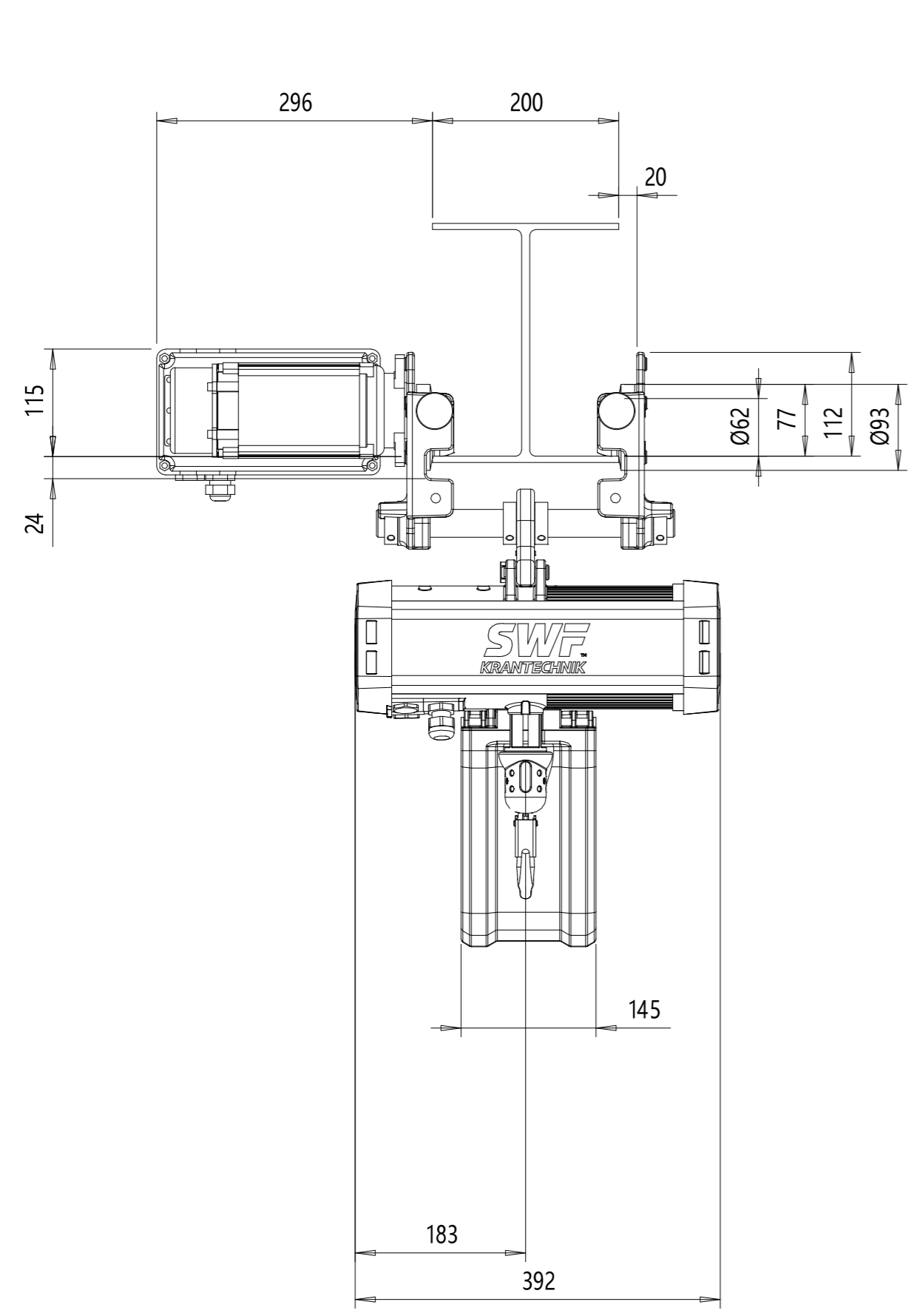


Pos	Totale	Descrizione	Specifiche		
		smij pa/Italy			DAS / M@ngo
		Progetto	Chd	Appd	Ref disegno
		2021.06.10			Vx proj
		Data	-		
		Rep.	-		
		SWF KRANTECHNIK			
		smij pa-000150-1-AA-085.1P-N-O-HI			

SWF Krantechnik reserves the right to alter or amend the above information without notice.
 This document and the information contained herein, is the exclusive property of SWF Krantechnik and represents a non-patented
 confidential and proprietary trade secret. It may not be reproduced, stored in a retrieval system, or transmitted in any
 manner whatsoever without the express written consent of SWF Krantechnik GmbH. Copyright © SWF Krantechnik. All rights reserved.

smij pa-000150-1-AA-086.1P-N-O-H

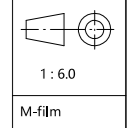
REV	MODIFICA DESCRIZIONE	ECN	DATA	REVISIONATO DA	APPROVATO DA
-----	----------------------	-----	------	----------------	--------------



DATI TECNICI	
CARICO	: 125 kg
ALZATA GANCIO	: 3 m
VELOCITÀ DI SOLLEVAMENTO	: 8 / 2 m/min
VELOCITÀ DI TRASLAZIONE	: Inverter 2 Steps:20/5 m/min
PESO DEL CARRELLO	: 49 kg
CLASSE PARANCO	: M6
ALIMENTAZIONE ELETTRICA	: 400 / 48 V; 50 Hz

Pos	Totale	Descrizione	Specifiche	
		smij pa/Italy		DAS / M@ngo
		Progetto	Chd	Vx proj
		2021.06.10	Appd	Ref disegno
		Data		
		Rep.		
		SWF KRANTECHNIK™		
		smij pa-000150-1-AA-086.1P-N-O-H		

SWF Krantechnik reserves the right to alter or amend the above information without notice. This document and its contents are confidential and proprietary trade secret that may not be reproduced, disclosed to third parties, altered or otherwise employed in any manner whatsoever without the express written consent of SWF Krantechnik GmbH. Copyright © SWF Krantechnik. All rights reserved.

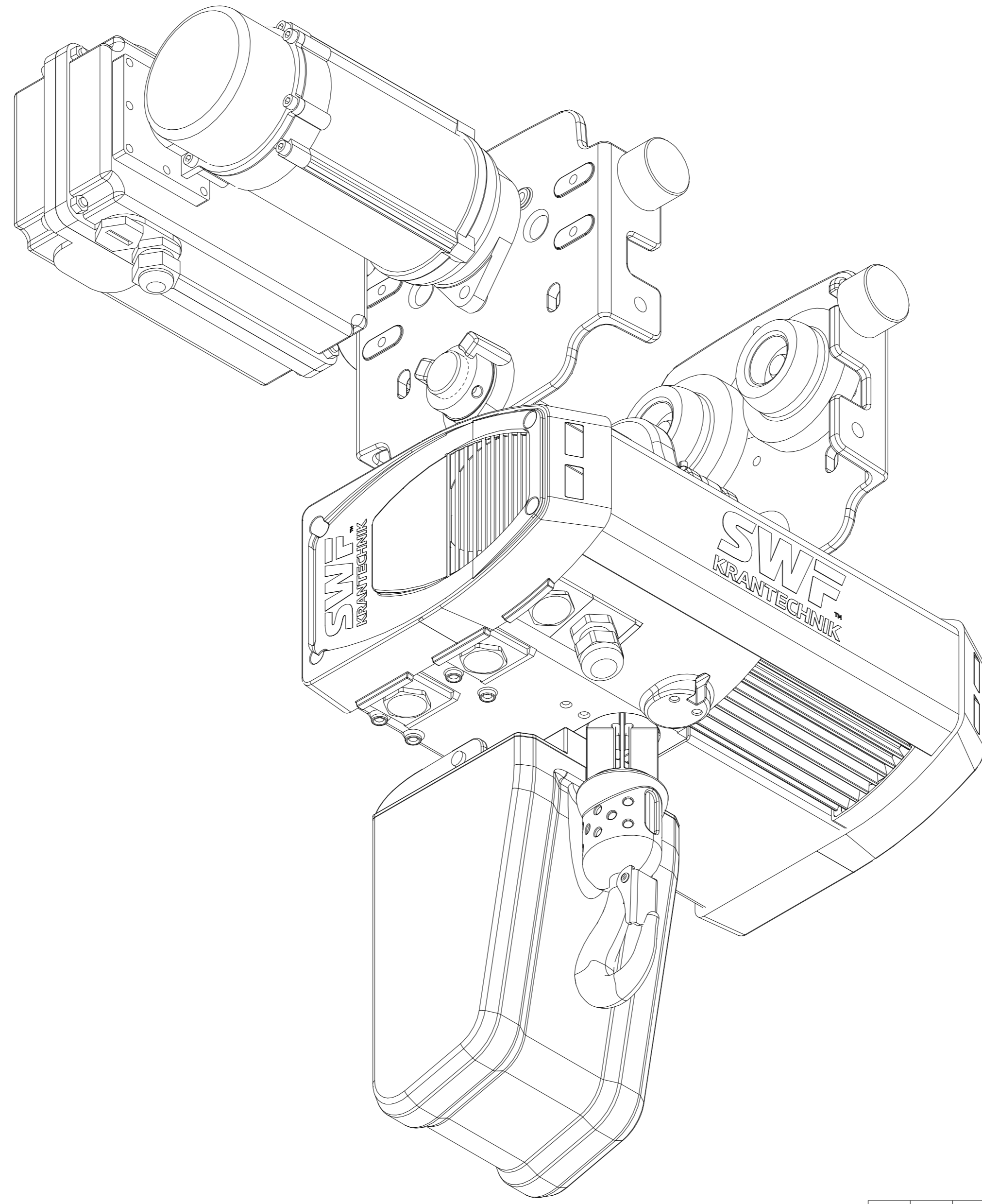


M-film

Scopo

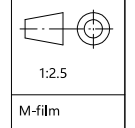
smij pa-000150-1-AA-086.1P-N-O-HI

REV	MODIFICA DESCRIZIONE	ECN	DATA	REVISIONATO DA	APPROVATO DA
-----	----------------------	-----	------	----------------	--------------



SWF Krantechnik reserves the right to alter or amend the above information without notice.
 This document and the information contained herein, is the exclusive property of SWF Krantechnik and represents a non-patented
 confidential and proprietary trade secret. It may not be reproduced, stored in a retrieval system, or transmitted in any
 manner whatsoever without the express written consent of SWF Krantechnik GmbH. Copyright © SWF Krantechnik. All rights reserved.

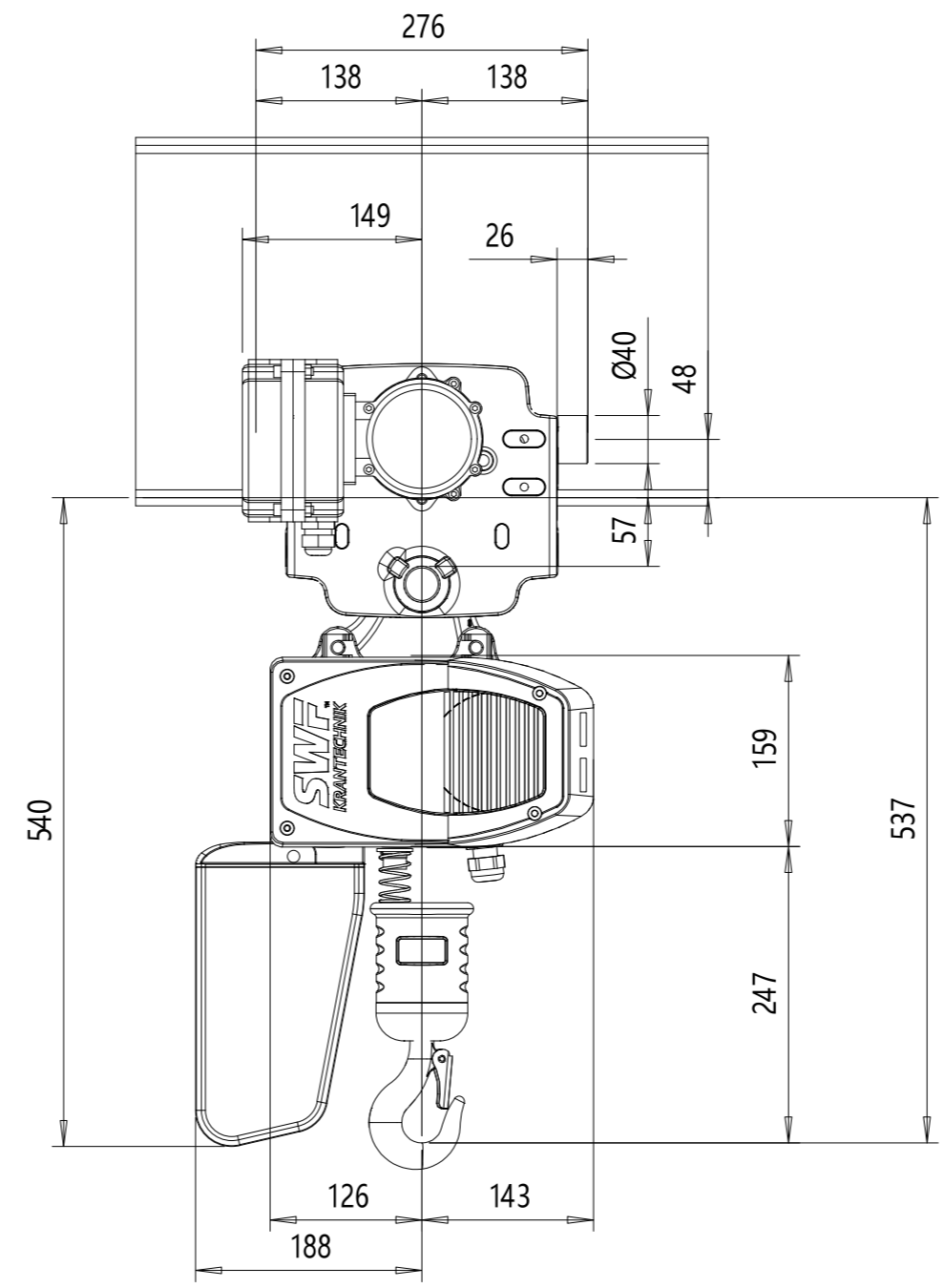
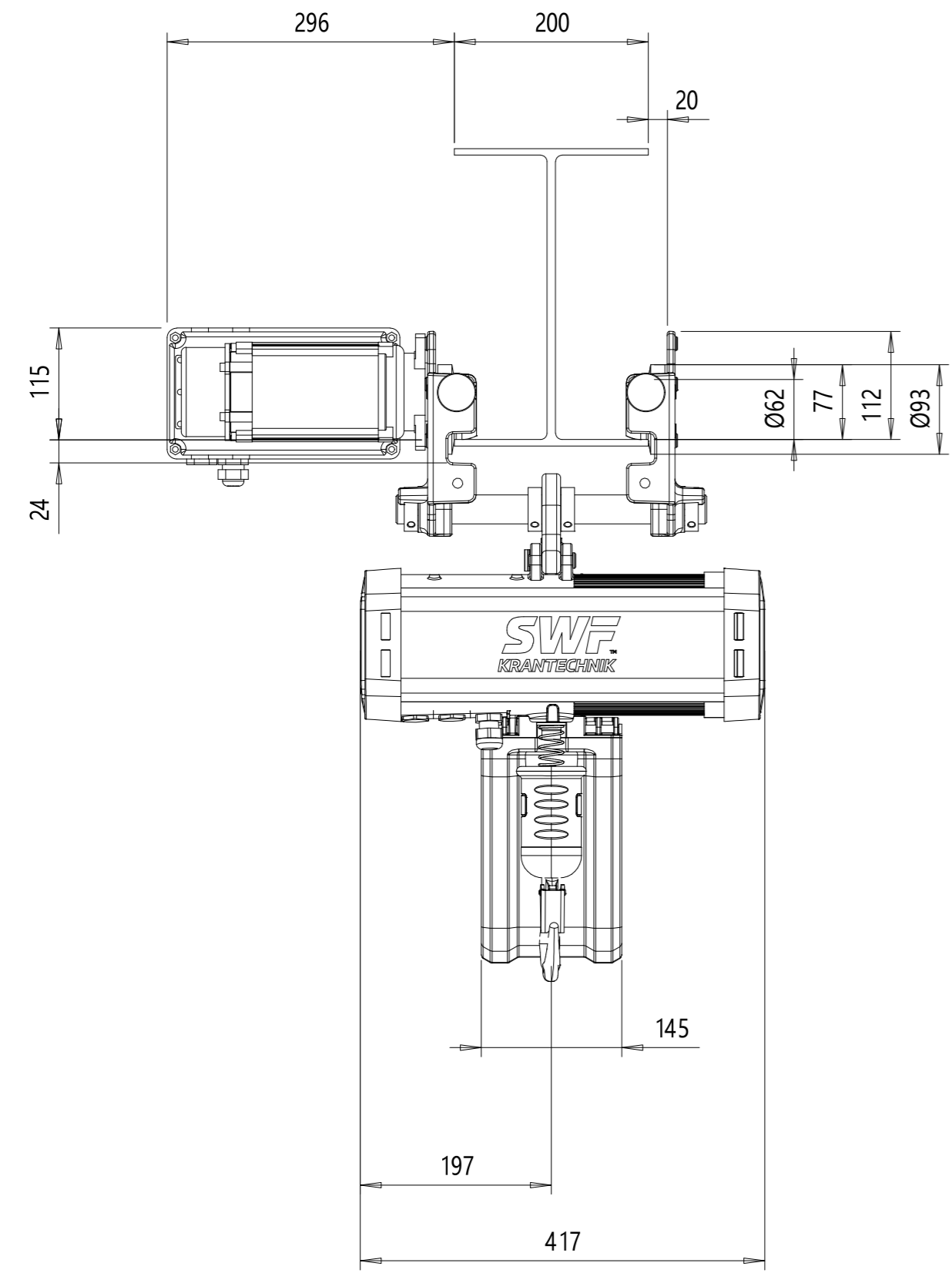
Pos	Totale	Descrizione	Specifiche		
		smij pa/Italy			DAS / M@ngo
		Progetto	Chd	Appd	Ref disegno
		2021.06.10			Vx proj
		Data	-		
		Rep.	-		
		SWF KRANTECHNIK™			
		smij pa-000150-1-AA-086.1P-N-O-HI			



Scope

smij pa-000150-1-AB-045.2P-N-O-H

REV	MODIFICA DESCRIZIONE	ECN	DATA	REVISIONATO DA	APPROVATO DA
-----	----------------------	-----	------	----------------	--------------

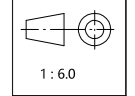


DATI TECNICI

CARICO	: 1000 kg
ALZATA GANCIO	: 3 m
VELOCITÀ DI SOLLEVAMENTO	: 4 / 1 m/min
VELOCITÀ DI TRASLAZIONE	: Inverter 2 Steps:20/5 m/min
PESO DEL CARRELLO	: 57 kg
CLASSE PARANCO	: M5
ALIMENTAZIONE ELETTRICA	: 400 / 48 V; 50 Hz

Pos	Totale	Descrizione	Specifiche		
		smij pa/Italy	Chd	Appd	DAS / M@ngo
		Progetto			Vx proj
		2021.06.10			
		Data			
		Rep.			
		SWF KRANTECHNIK			
		smij pa-000150-1-AB-045.2P-N-O-H			

SWF Krantechnik reserves the right to alter or amend the above information without notice. This document and its contents are confidential and proprietary trade secret that may not be produced, disclosed to third parties, altered or otherwise employed in any manner whatsoever without the express written consent of SWF Krantechnik GmbH. Copyright © SWF Krantechnik. All rights reserved.



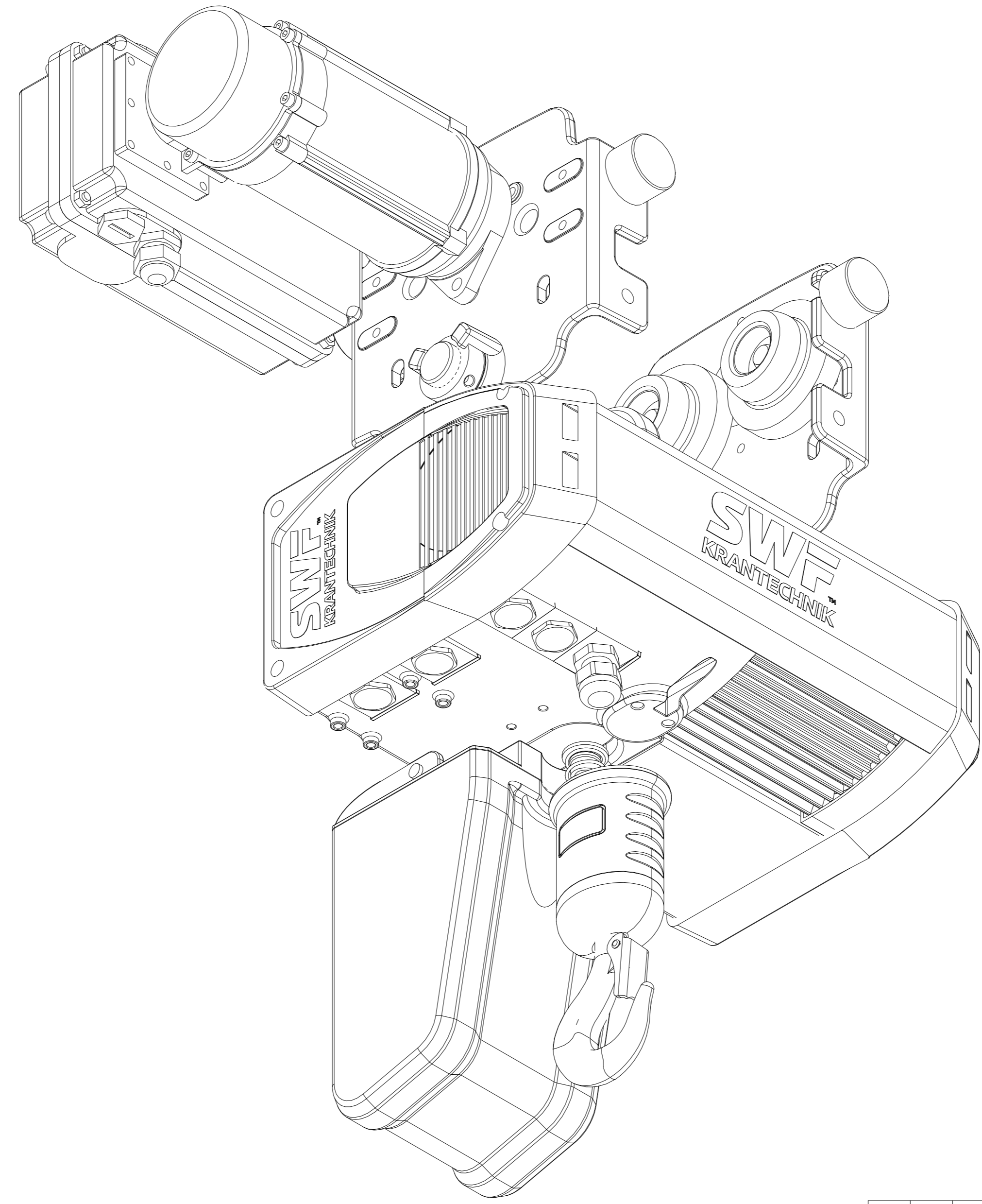
1:6.0

M-film

Scopo

smij pa-000150-1-AB-045.2P-N-O-HI

REV	MODIFICA DESCRIZIONE	ECN	DATA	REVISIONATO DA	APPROVATO DA
-----	----------------------	-----	------	----------------	--------------



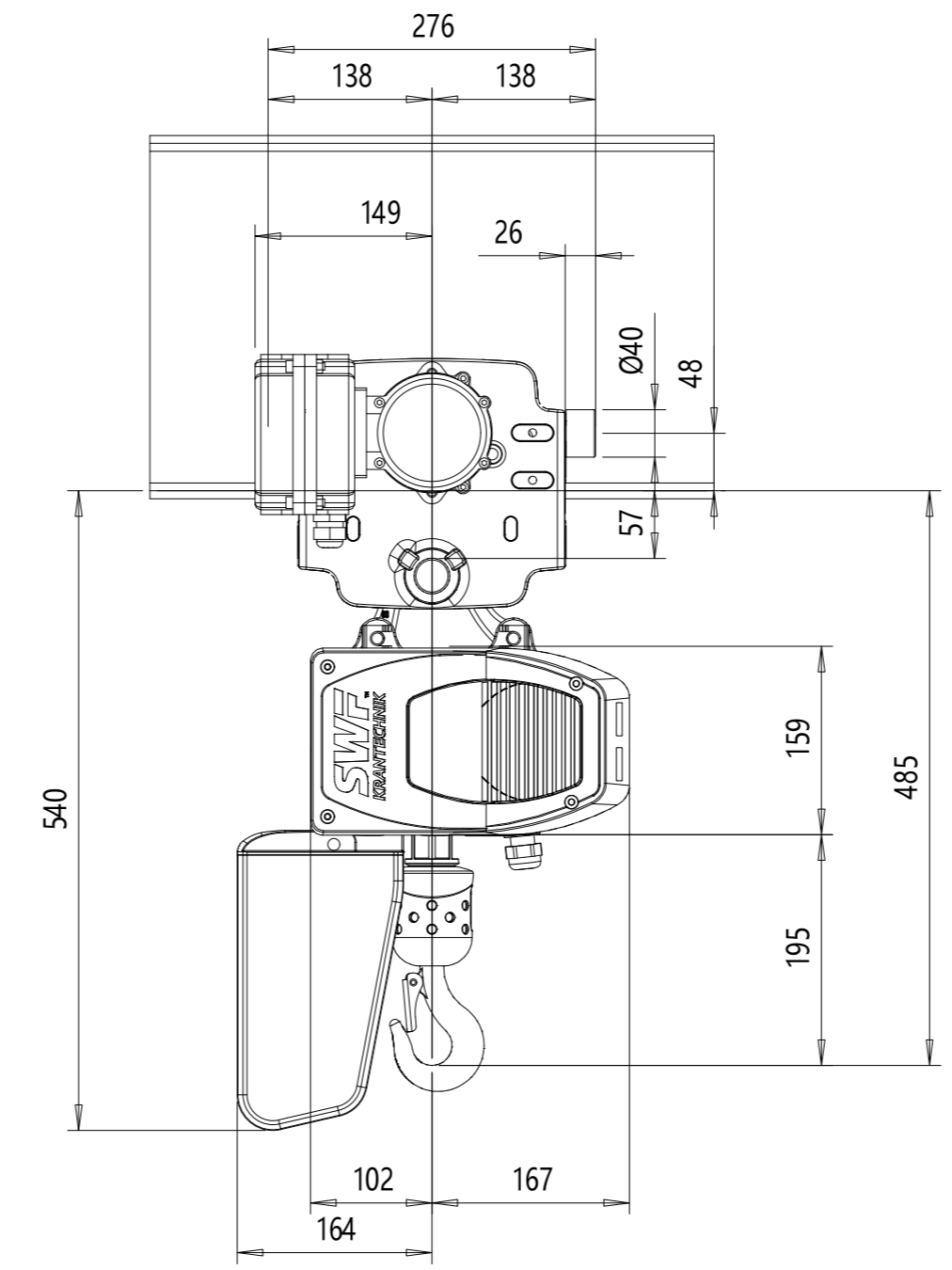
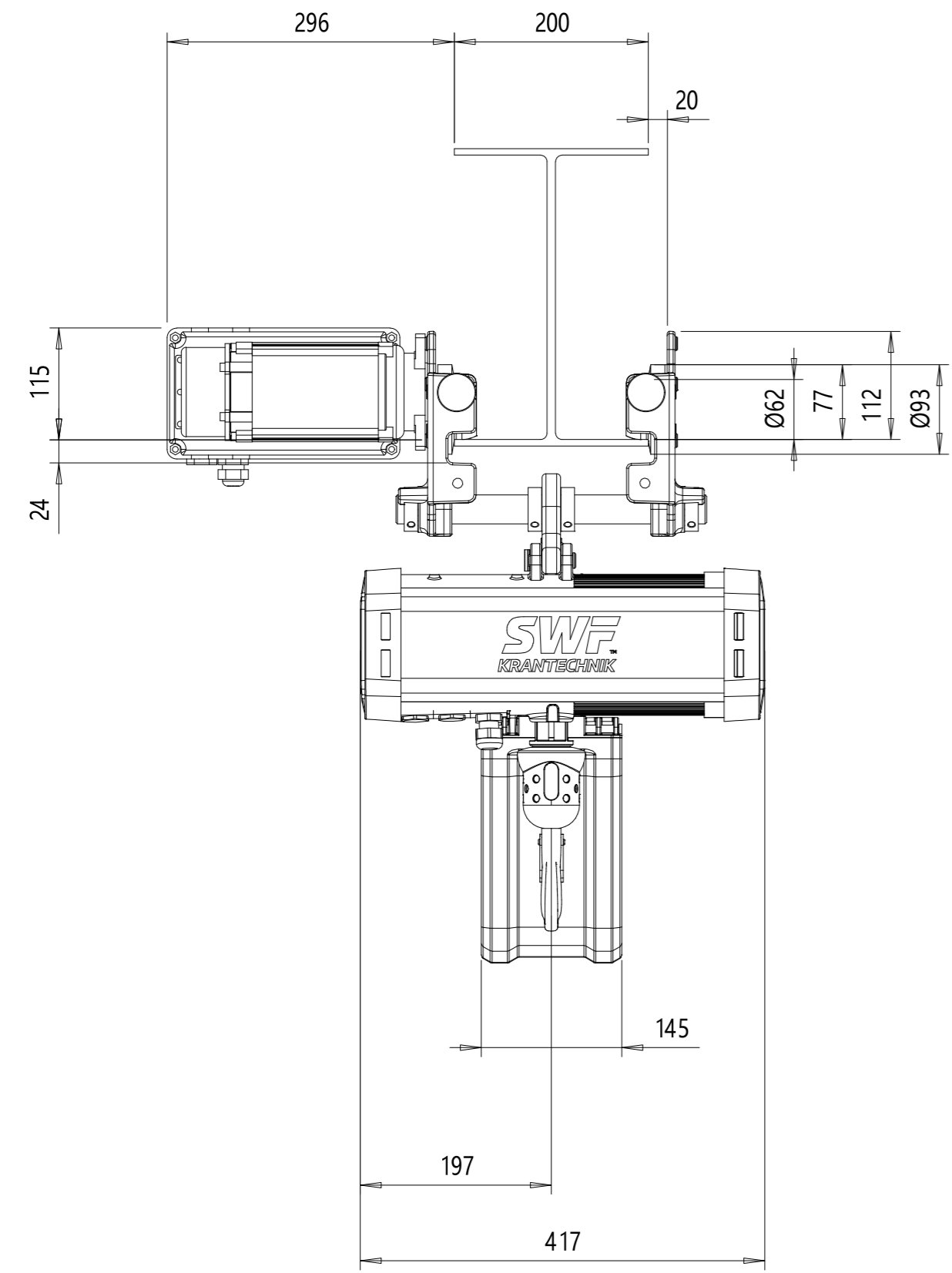
SWF Krantechnik reserves the right to alter or amend the above information without notice.
 This document and the information contained herein, is the exclusive property of SWF Krantechnik and represents a non-patented
 confidential and proprietary trade secret. It may not be reproduced, stored in a retrieval system, or transmitted in any
 manner whatsoever without the express written consent of SWF Krantechnik GmbH. Copyright © SWF Krantechnik. All rights reserved.

Pos	Totale	Descrizione	Specifiche		
		smij pa/Italy			DAS / M@ngo
		Progetto	Chd	Appd	Ref disegno
		2021.06.10			Vx proj
		Data	-		
		Rep.	-		
		SWF KRANTECHNIK™			
		smij pa-000150-1-AB-045.2P-N-O-HI			

1:2.5
M-film
Scope

smij pa-000150-1-AB-085.1P-N-O-H

REV	MODIFICA DESCRIZIONE	ECN	DATA	REVISIONATO DA	APPROVATO DA
-----	----------------------	-----	------	----------------	--------------

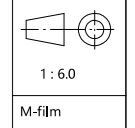


DATI TECNICI

CARICO	: 500 kg
ALZATA GANCIO	: 3 m
VELOCITÀ DI SOLLEVAMENTO	: 8 / 2 m/min
VELOCITÀ DI TRASLAZIONE	: Inverter 2 Steps:20/5 m/min
PESO DEL CARRELLO	: 59 kg
CLASSE PARANCO	: M5
ALIMENTAZIONE ELETTRICA	: 400 / 48 V; 50 Hz

Pos	Totale	Descrizione	Specifiche		
Doppio		smij pa/Italy	Chd	Appd	DAS / M@ngo
		Progetto			Vx proj
		2021.06.10			
		Data			
		Rep.			
		SWF KRANTECHNIK			
		smij pa-000150-1-AB-085.1P-N-O-H			Scopo

SWF Krantechnik reserves the right to alter or amend the above information without notice. This document and its contents are confidential and proprietary trade secret that may not be produced, disclosed to third parties, altered or otherwise employed in any manner whatsoever without the express written consent of SWF Krantechnik GmbH. Copyright © SWF Krantechnik. All rights reserved.

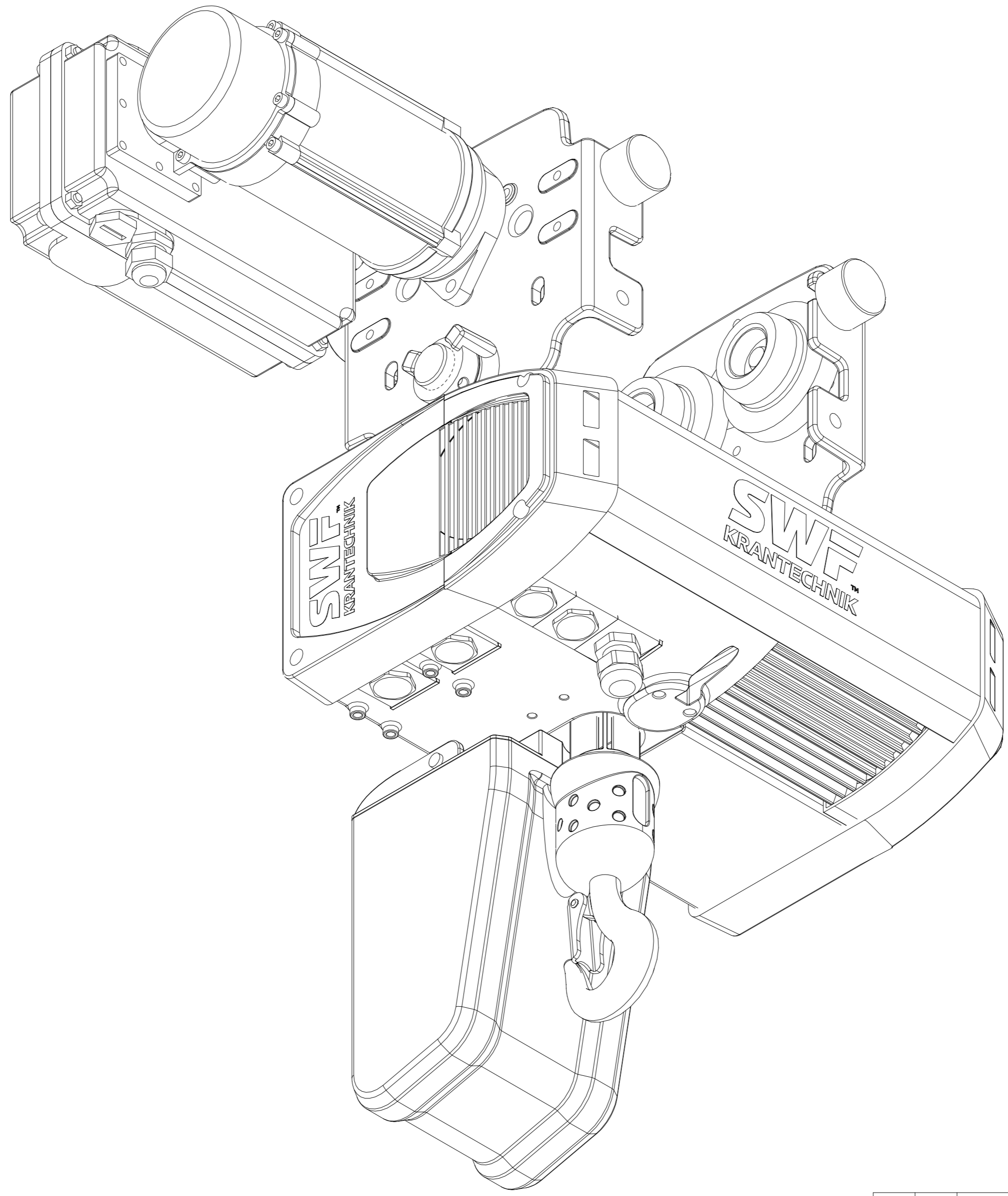


1:6.0

M-film

smij pa-000150-1-AB-085.1P-N-O-HI

REV	MODIFICA DESCRIZIONE	ECN	DATA	REVISIONATO DA	APPROVATO DA
-----	----------------------	-----	------	----------------	--------------

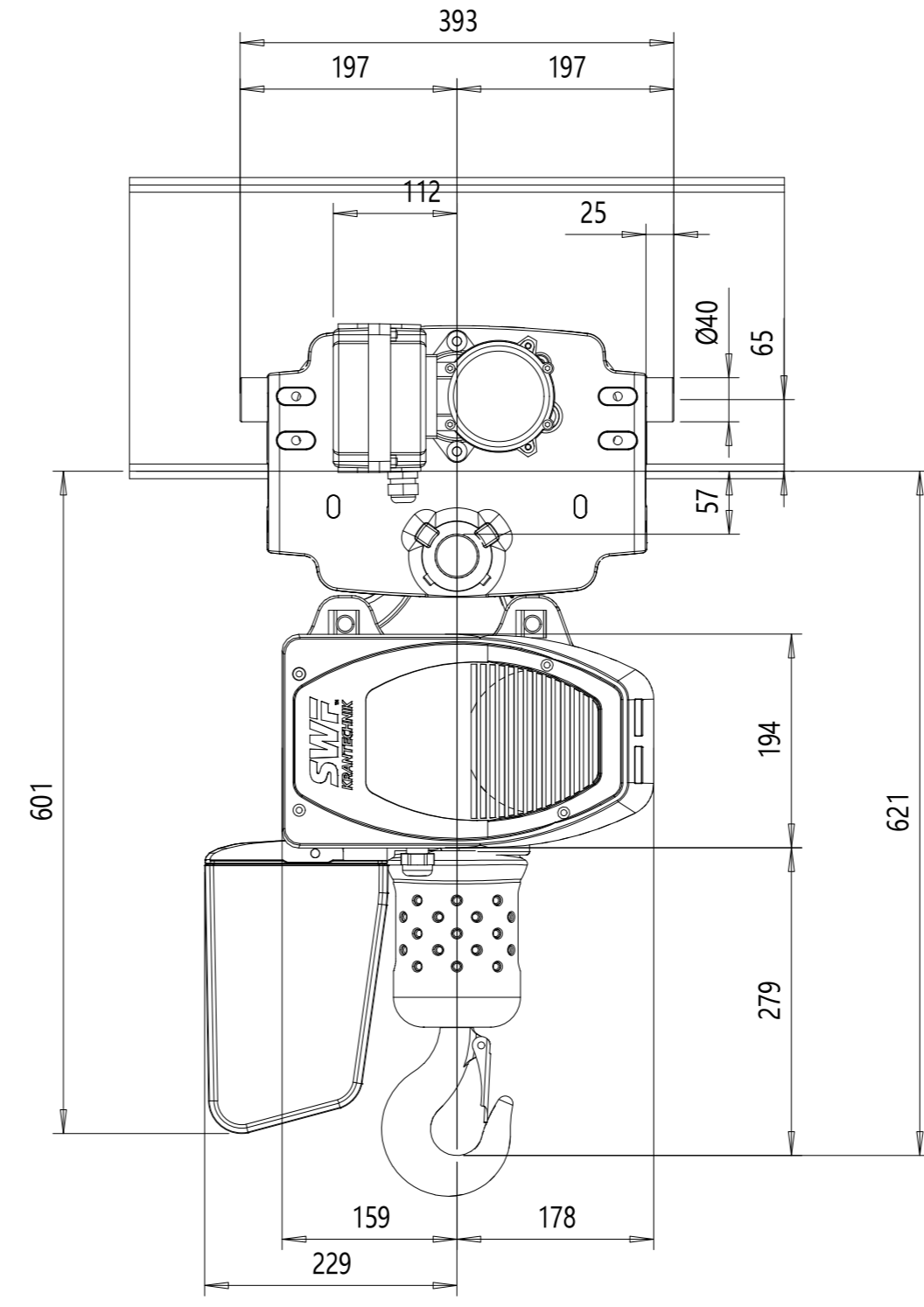
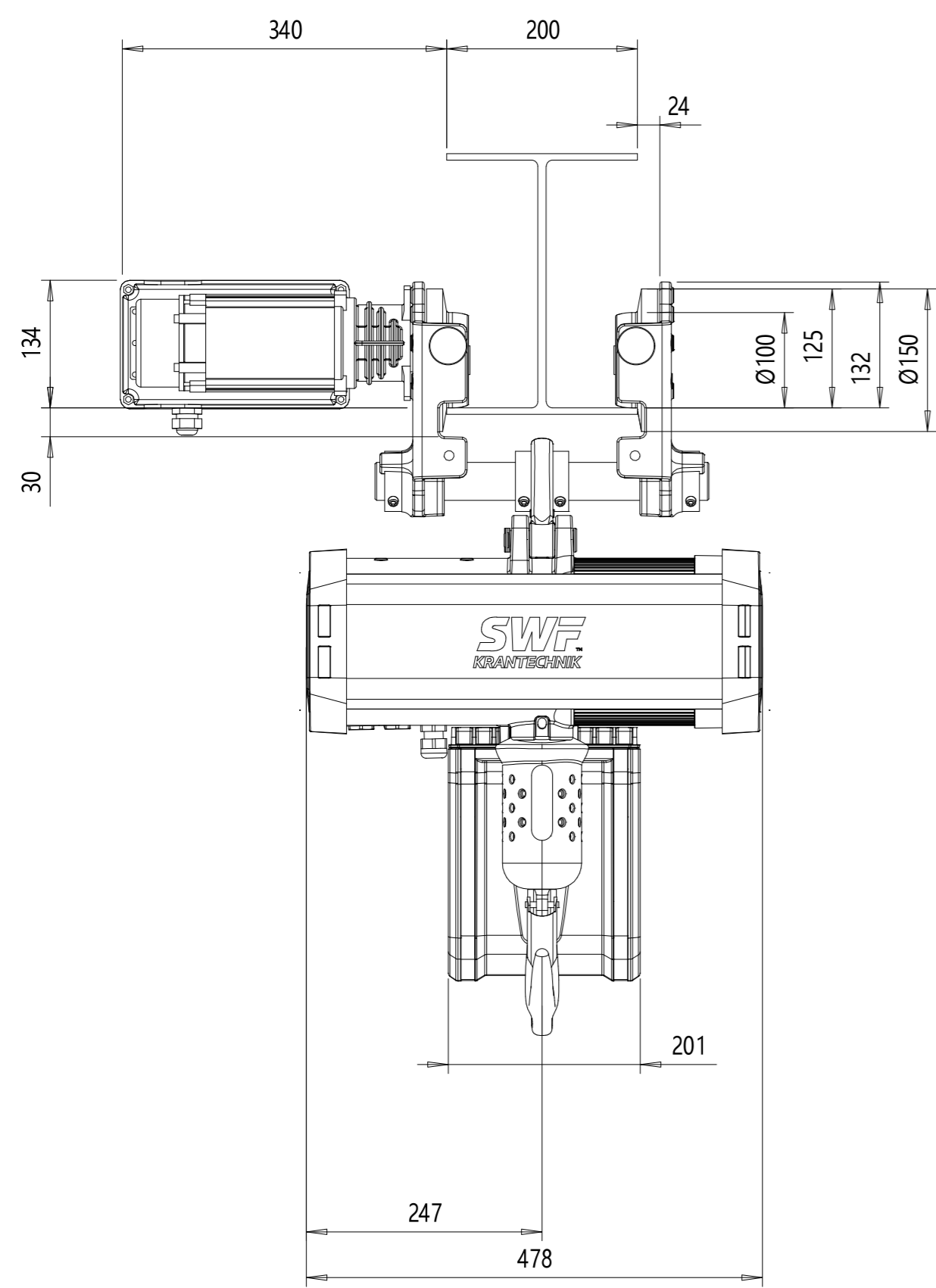


Pos	Totale	Descrizione	Specifiche		
		smij pa/Italy			DAS / M@ngo
		Progetto	Chd	Appd	Ref disegno
		2021.06.10			Vx proj
		Data	-		
		Rep.	-		
		SWF KRANTECHNIK™			
		smij pa-000150-1-AB-085.1P-N-O-HI			

SWF Krantechnik reserves the right to alter or amend the above information without notice.
 This document and the information contained herein, is the exclusive property of SWF Krantechnik and represents a non-patented
 confidential and proprietary trade secret. It may not be reproduced, stored in a retrieval system, or transmitted in any
 manner whatsoever without the express written consent of SWF Krantechnik GmbH. Copyright © SWF Krantechnik. All rights reserved.

smij pa-000150-1-AC-045.2P-N-O-H

REV	MODIFICA DESCRIZIONE	ECN	DATA	REVISIONATO DA	APPROVATO DA
-----	----------------------	-----	------	----------------	--------------



DATI TECNICI	
CARICO	: 2000 kg
ALZATA GANCIO	: 3 m
VELOCITÀ DI SOLLEVAMENTO	: 4 / 1 m/min
VELOCITÀ DI TRASLAZIONE	: Inverter 2 Steps: 20/5 m/min
PESO DEL CARRELLO	: 105 kg
CLASSE PARANCO	: M5
ALIMENTAZIONE ELETTRICA	: 400 / 48 V; 50 Hz

Pos	Totale	Descrizione	Specifiche	
		smij pa/Italy	Chd	DAS / M@ngo
		Progetto	Appd	Vx proj
		2021.06.10		
		Data		
		Rep.		
Doppio		SWF KRANTECHNIK		Scopo
		smij pa-000150-1-AC-045.2P-N-O-H		

SWF Krantechnik reserves the right to alter or amend the above information without notice. This document and its contents are confidential and proprietary trade secret that may not be produced, disclosed to third parties, altered or otherwise employed in any manner whatsoever without the express written consent of SWF Krantechnik GmbH. Copyright © SWF Krantechnik. All rights reserved.

