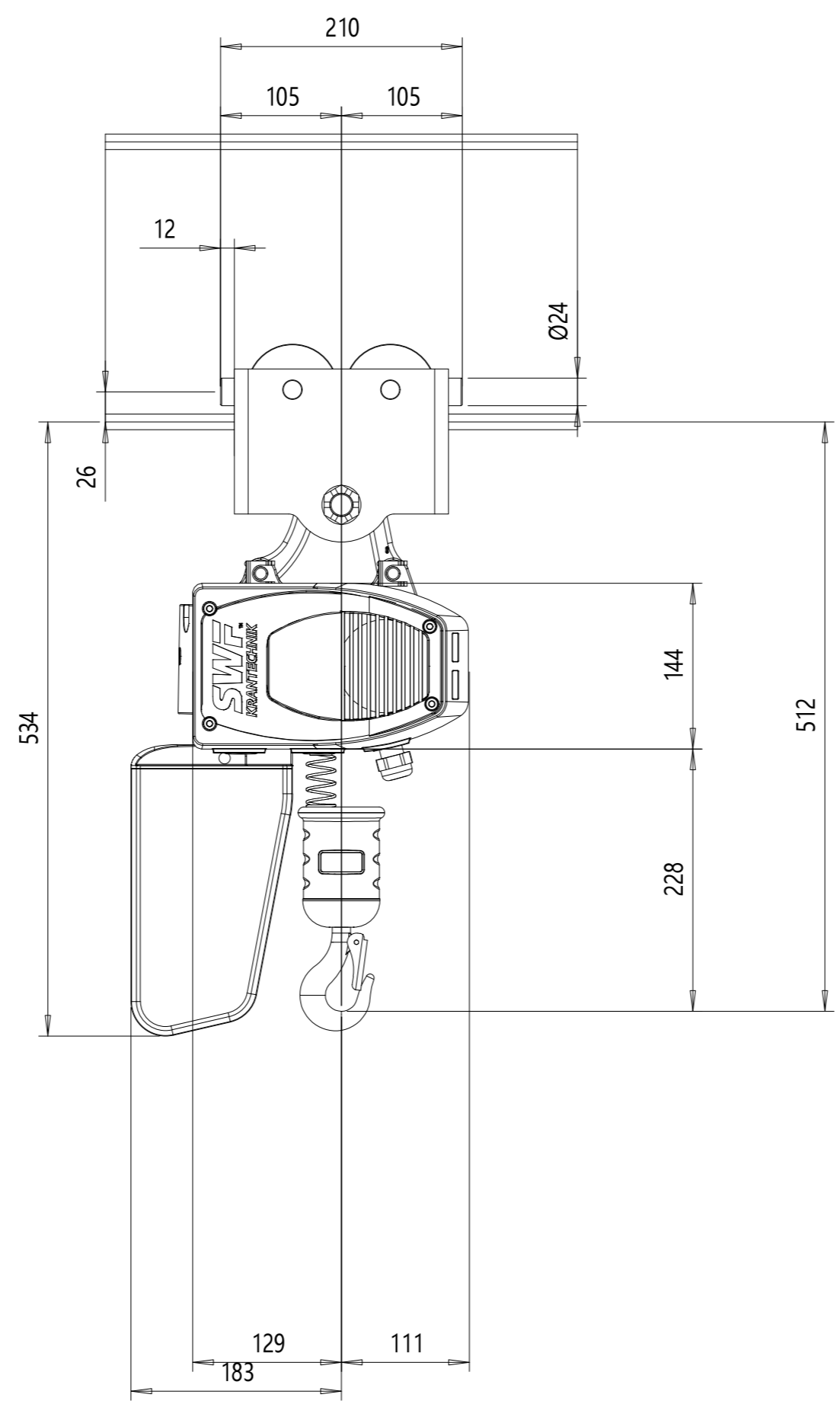
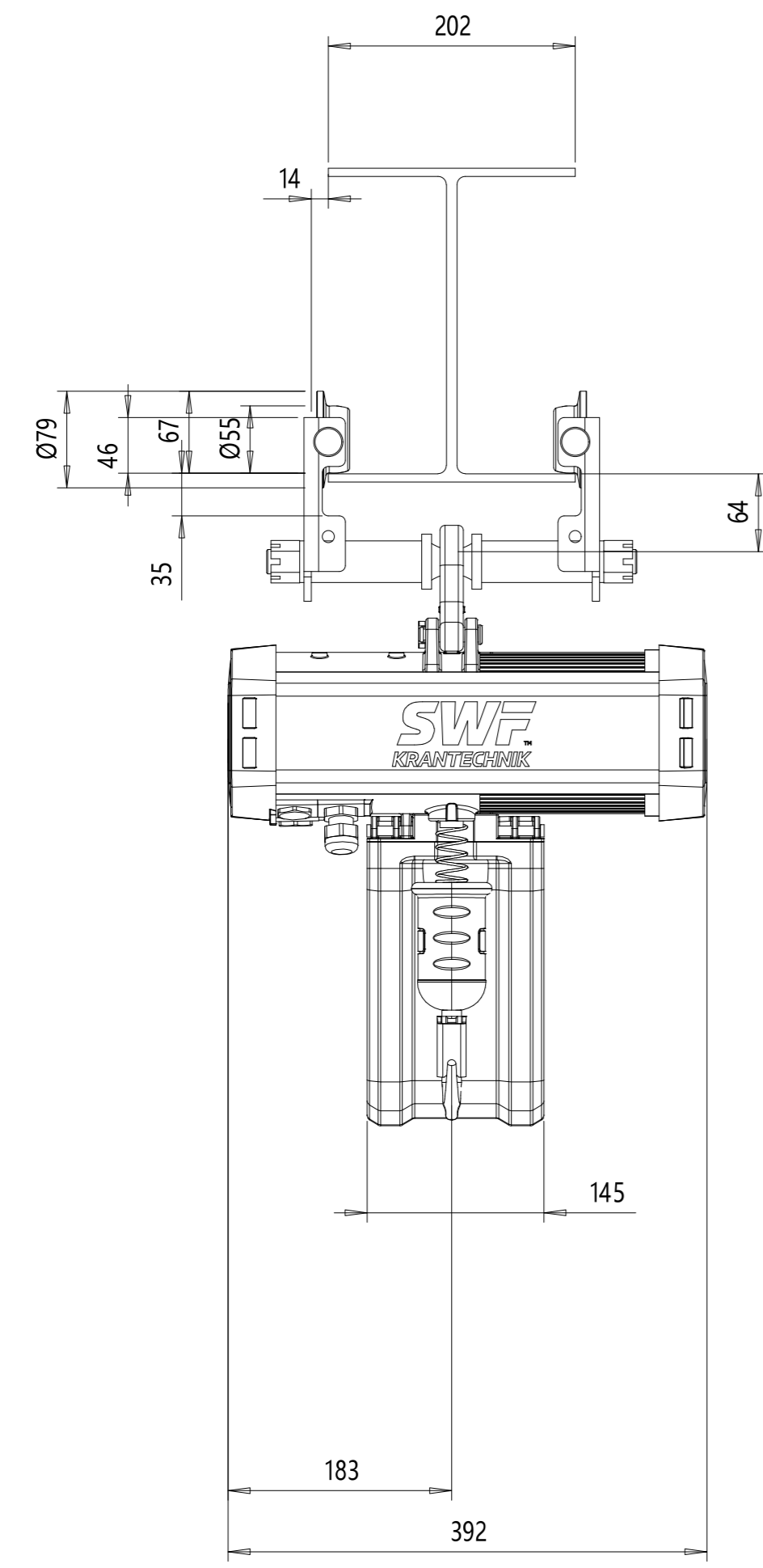


smij pa-000150-1-AA-045.2P-Y-O-H

REV	MODIFICA DESCRIZIONE	ECN	DATA	REVISIONATO DA	APPROVATO DA
-----	----------------------	-----	------	----------------	--------------



**DATI TECNICI**

CARICO	: 500 kg
ALZATA GANCIO	: 3 m
VELOCITÀ DI SOLLEVAMENTO	: 4 / 1 m/min
PESO DEL CARRELLO	: 35 kg
CLASSE PARANCO	: M5
ALIMENTAZIONE ELETTRICA	: 400 / 48 V; 50 Hz

Pos	Totale	Descrizione	Specifiche		
		smij pa/Italy			DAS / M@ngo
		Progetto	Chd	Appd	Ref disegno
		2021.05.31			Vx proj
		Data	-		
		Rep.	-		
		<b>SWF</b> KRANTECHNIK			
		smij pa-000150-1-AA-045.2P-Y-O-H			

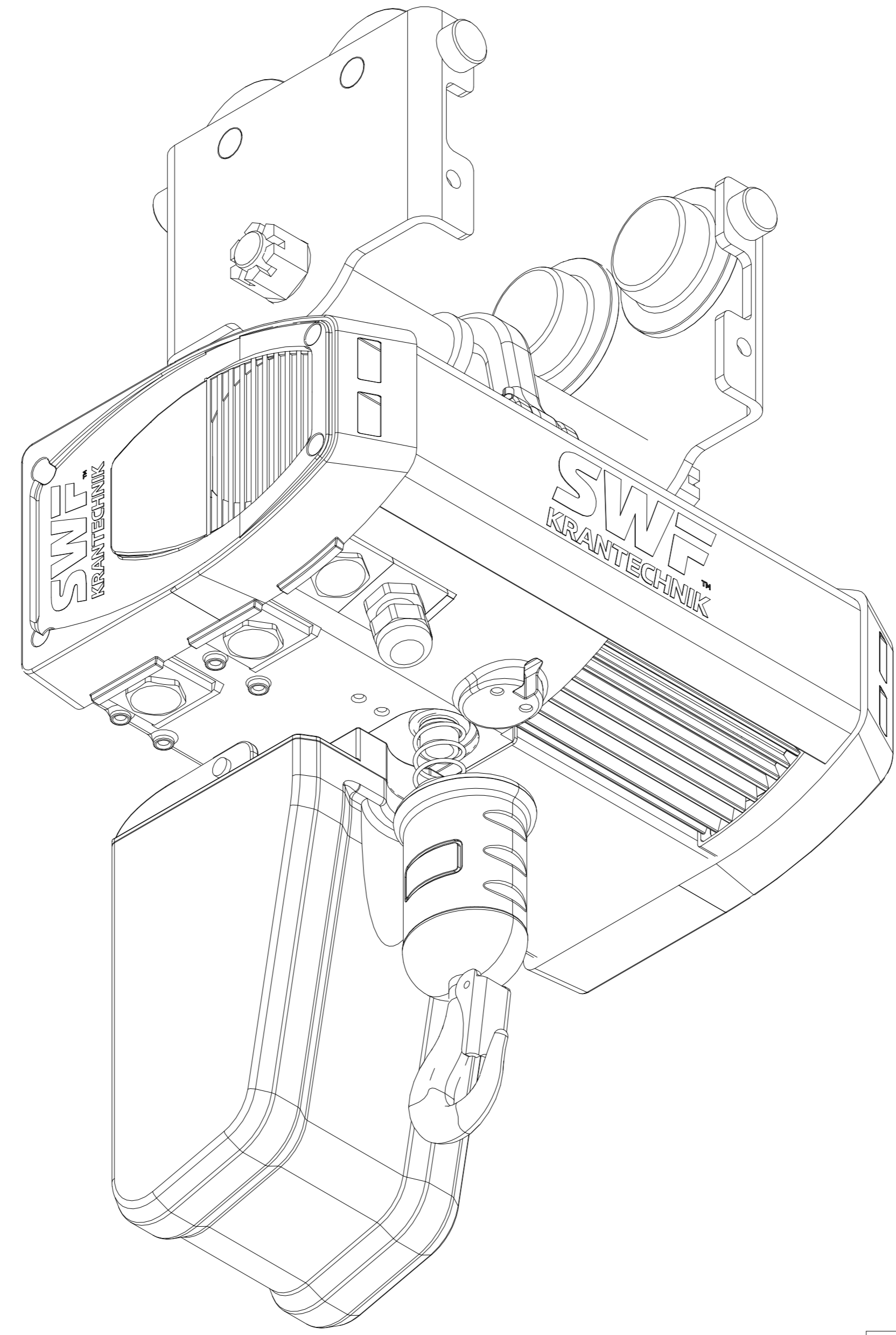
SWF Krantechnik reserves the right to alter or amend the above information without notice. This document and the information contained herein are the exclusive property of SWF Krantechnik and represent a non-public, confidential and proprietary trade secret that may not be reproduced, disclosed to third parties, altered or otherwise employed in any manner whatsoever without the express written consent of SWF Krantechnik GmbH. Copyright © SWF Krantechnik. All rights reserved.

A B C D E F G H

1 2 3 4 5 6 7 8 9 10 11 12

smij pa-000150-1-AA-045.2P-Y-O-HI

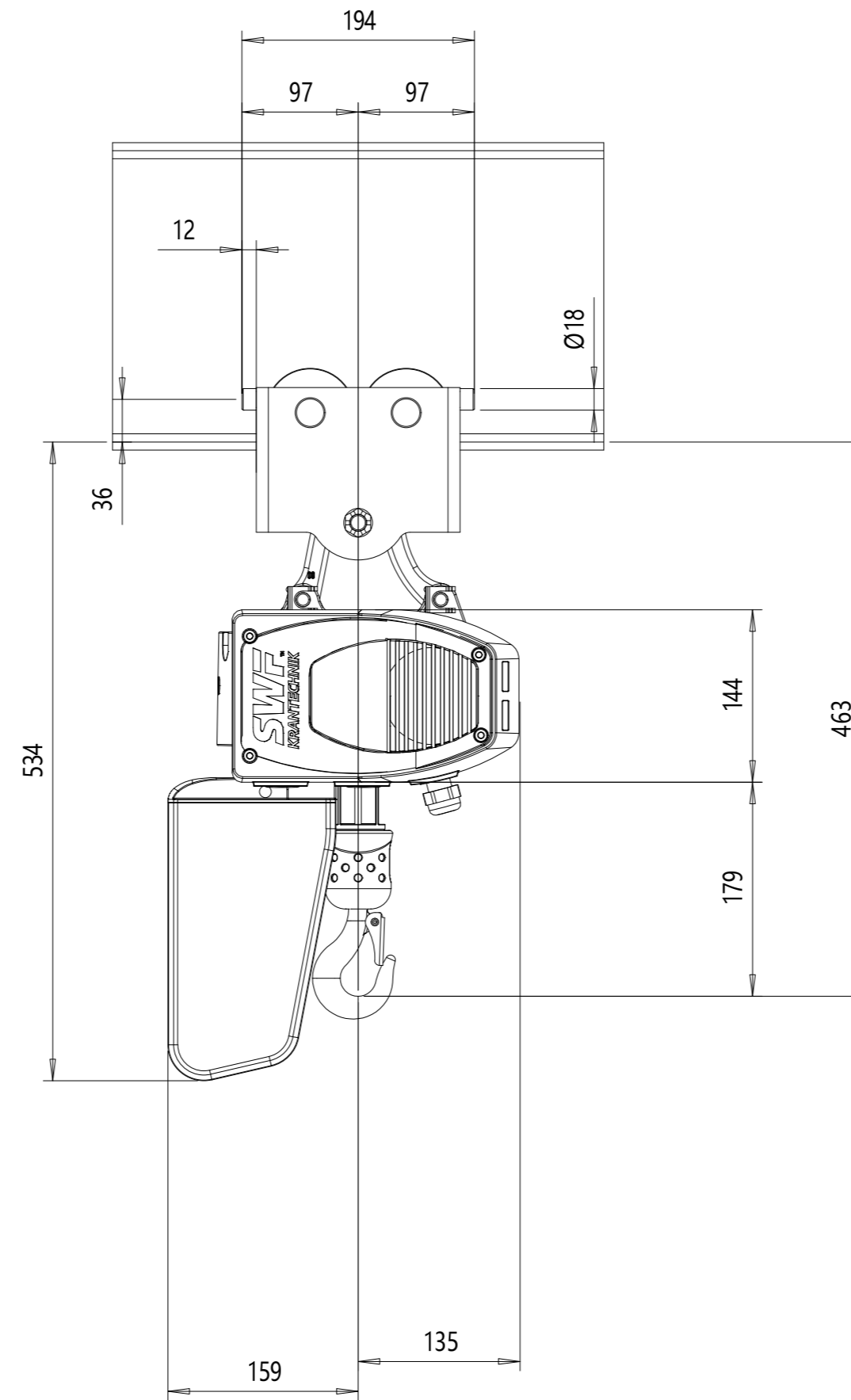
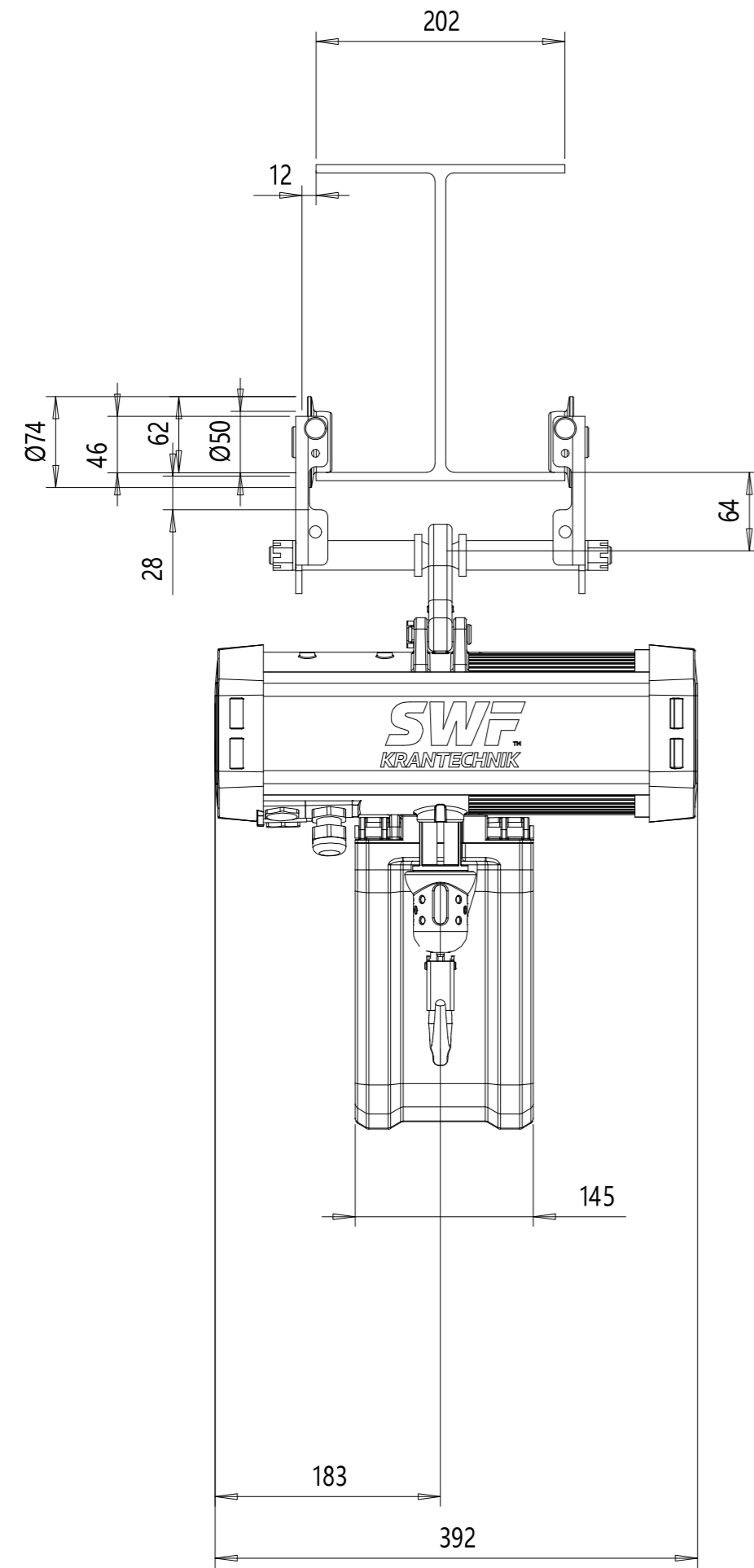
REV	MODIFICA DESCRIZIONE	ECN	DATA	REVISIONATO DA	APPROVATO DA
-----	----------------------	-----	------	----------------	--------------



SWF Krantechnik reserves the right to alter or amend the above information without notice.  
 This document and the information contained herein, is the exclusive property of SWF Krantechnik and represents a non-patented  
 confidential and proprietary design secret may not be reproduced, stored in a retrieval system, or transmitted in any  
 manner whatsoever without the express written consent of SWF Krantechnik GmbH. Copyright © SWF Krantechnik. All rights reserved.

Pos	Totale	Descrizione	Specifiche		
		smij pa/Italy			DAS / M@ngo
		Progetto	Chd	Appd	Ref disegno
		2021.05.31			Vx proj
		Data	-		
		Rep.	-		
		<b>SWF</b> KRANTECHNIK™			
		smij pa-000150-1-AA-045.2P-Y-O-HI			
					1:2.5
					M-film
					Scope

smij pa-000150-1-AA-085.1P-Y-O-H



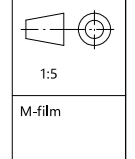
REV	MODIFICA DESCRIZIONE	ECN	DATA	REVISIONATO DA	APPROVATO DA
-----	----------------------	-----	------	----------------	--------------

**DATI TECNICI**

CARICO	: 250 kg
ALZATA GANCIO	: 3 m
VELOCITÀ DI SOLLEVAMENTO	: 8 / 2 m/min
PESO DEL CARRELLO	: 26 kg
CLASSE PARANCO	: M5
ALIMENTAZIONE ELETTRICA	: 400 / 48 V; 50 Hz

Pos	Totale	Descrizione	Specifiche		
		smij pa/Italy			DAS / M@ngo
		Progetto	Chd	Appd	Ref disegno
		2021.05.31			Vx proj
		Data	-		
		Rep.	-		
		<b>SWF KRANTECHNIK</b>			
		smij pa-000150-1-AA-085.1P-Y-O-H			

SWF Krantechnik reserves the right to alter or amend the above information without notice. This document and the information herein are the exclusive property of SWF Krantechnik and represent a non-patented confidential and proprietary trade secret that may not be reproduced, disclosed to third parties, altered or otherwise employed in any manner whatsoever without the express written consent of SWF Krantechnik GmbH. Copyright © SWF Krantechnik. All rights reserved.

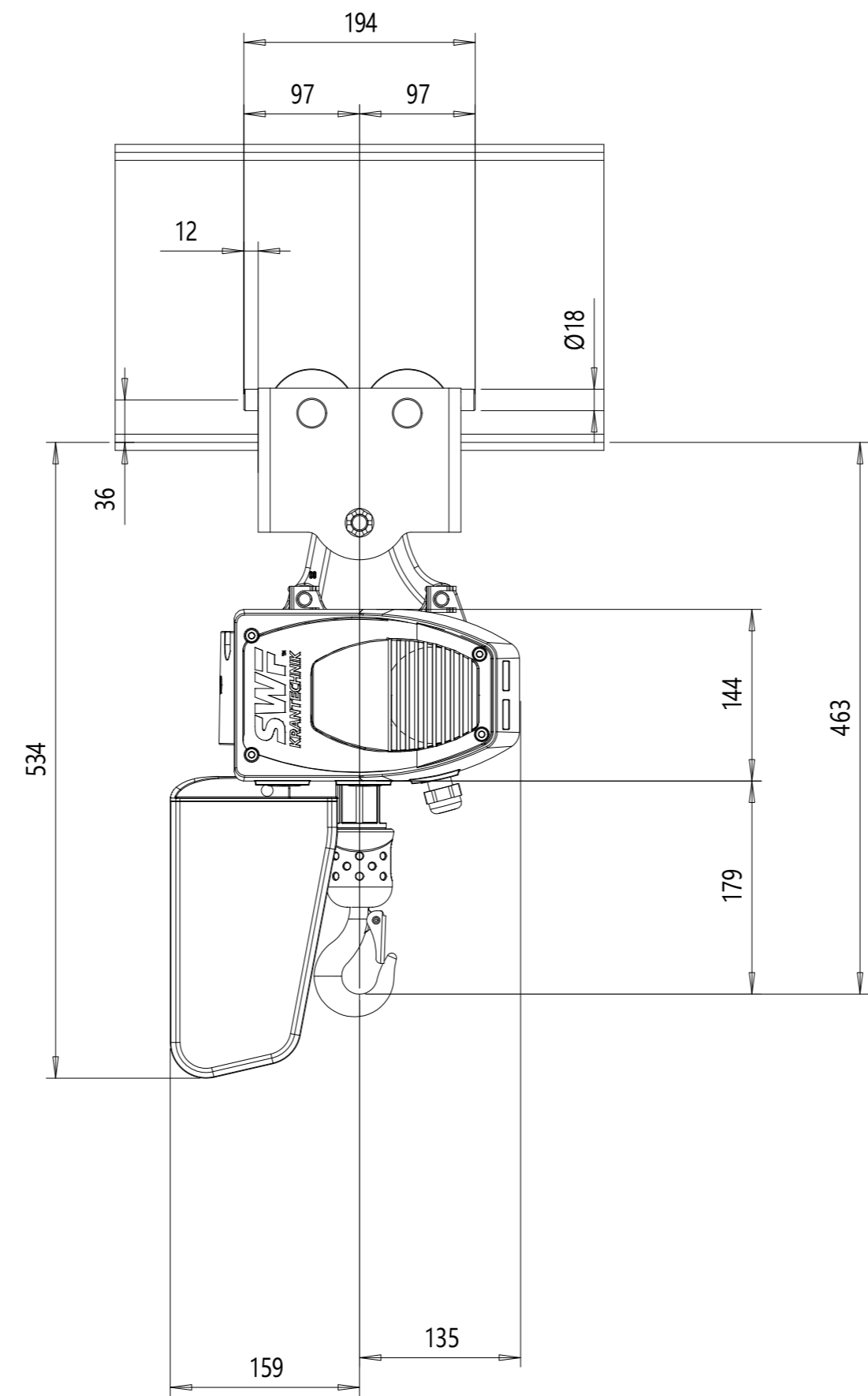
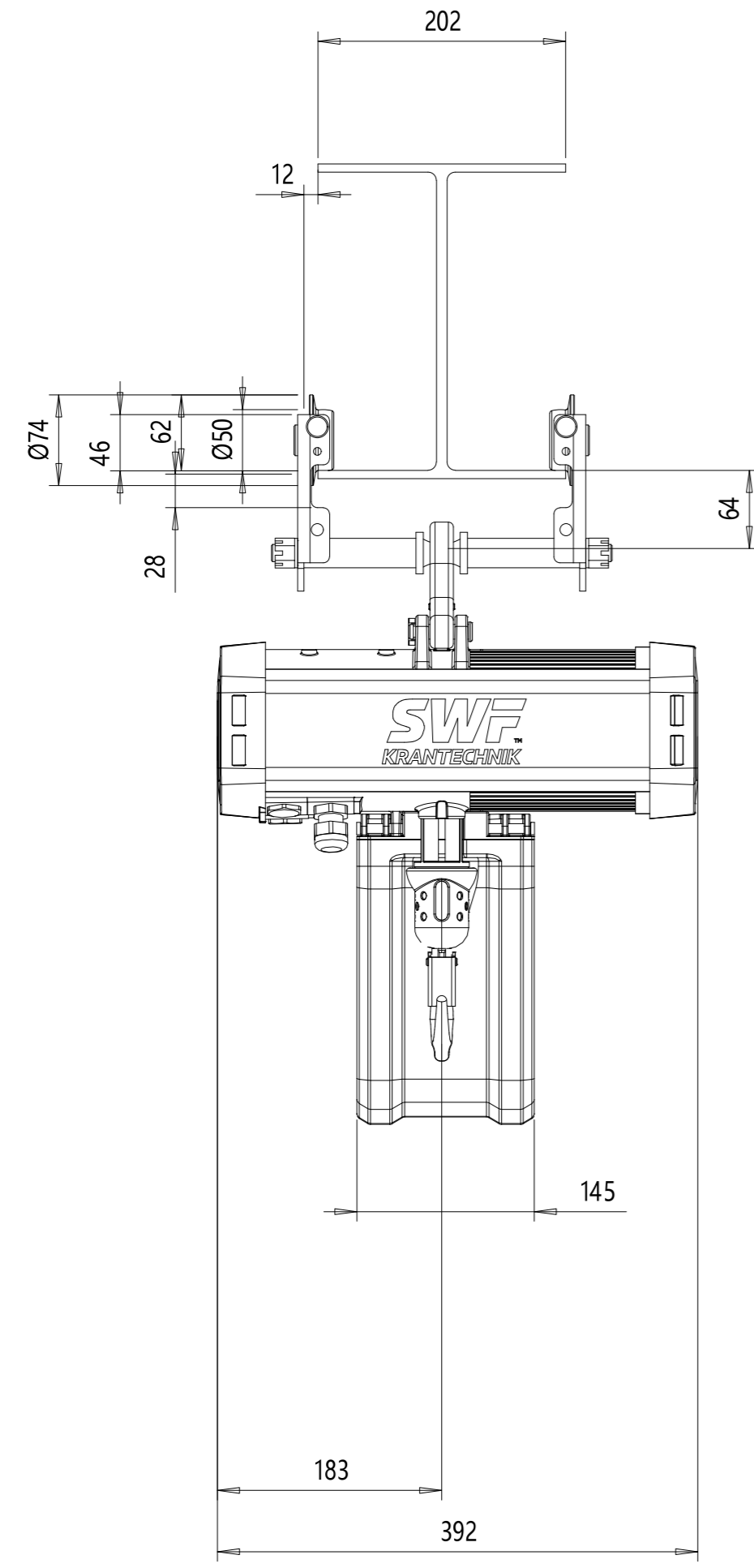


Scopo



smij pa-000150-1-AA-086.1P-Y-O-H

REV	MODIFICA DESCRIZIONE	ECN	DATA	REVISIONATO DA	APPROVATO DA
-----	----------------------	-----	------	----------------	--------------

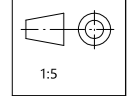


**DATI TECNICI**

CARICO	: 125 kg
ALZATA GANCIO	: 3 m
VELOCITÀ DI SOLLEVAMENTO	: 8 / 2 m/min
PESO DEL CARRELLO	: 26 kg
CLASSE PARANCO	: M6
ALIMENTAZIONE ELETTRICA	: 400 / 48 V; 50 Hz

Pos	Totale	Descrizione	Specifiche		
		smij pa/Italy			DAS / M@ngo
		Progetto	Chd	Appd	Ref disegno
		2021.05.31			Vx proj
		Data	-		
		Rep.	-		
		<b>SWF KRANTECHNIK</b>			
		smij pa-000150-1-AA-086.1P-Y-O-H			

SWF Krantechnik reserves the right to alter or amend the above information without notice. This document and the information contained herein are the exclusive property of SWF Krantechnik and represent a non-public confidential and proprietary trade secret that may not be reproduced, disclosed to third parties, altered or otherwise employed in any manner whatsoever without the express written consent of SWF Krantechnik GmbH. Copyright © SWF Krantechnik. All rights reserved.



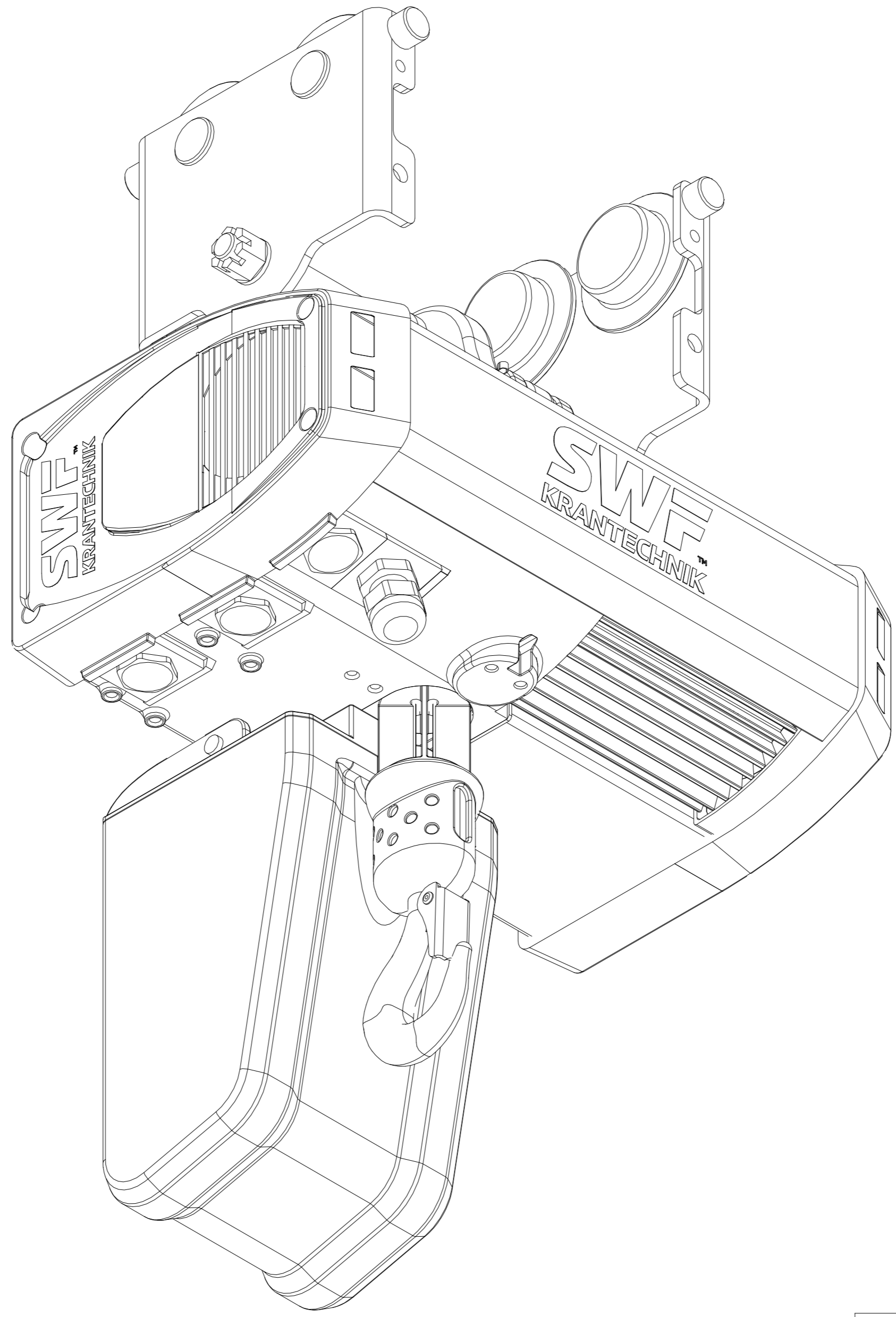
1:5

M-Film

Scopo

smij pa-000150-1-AA-086.1P-Y-O-HI

REV	MODIFICA DESCRIZIONE	ECN	DATA	REVISIONATO DA	APPROVATO DA
-----	----------------------	-----	------	----------------	--------------

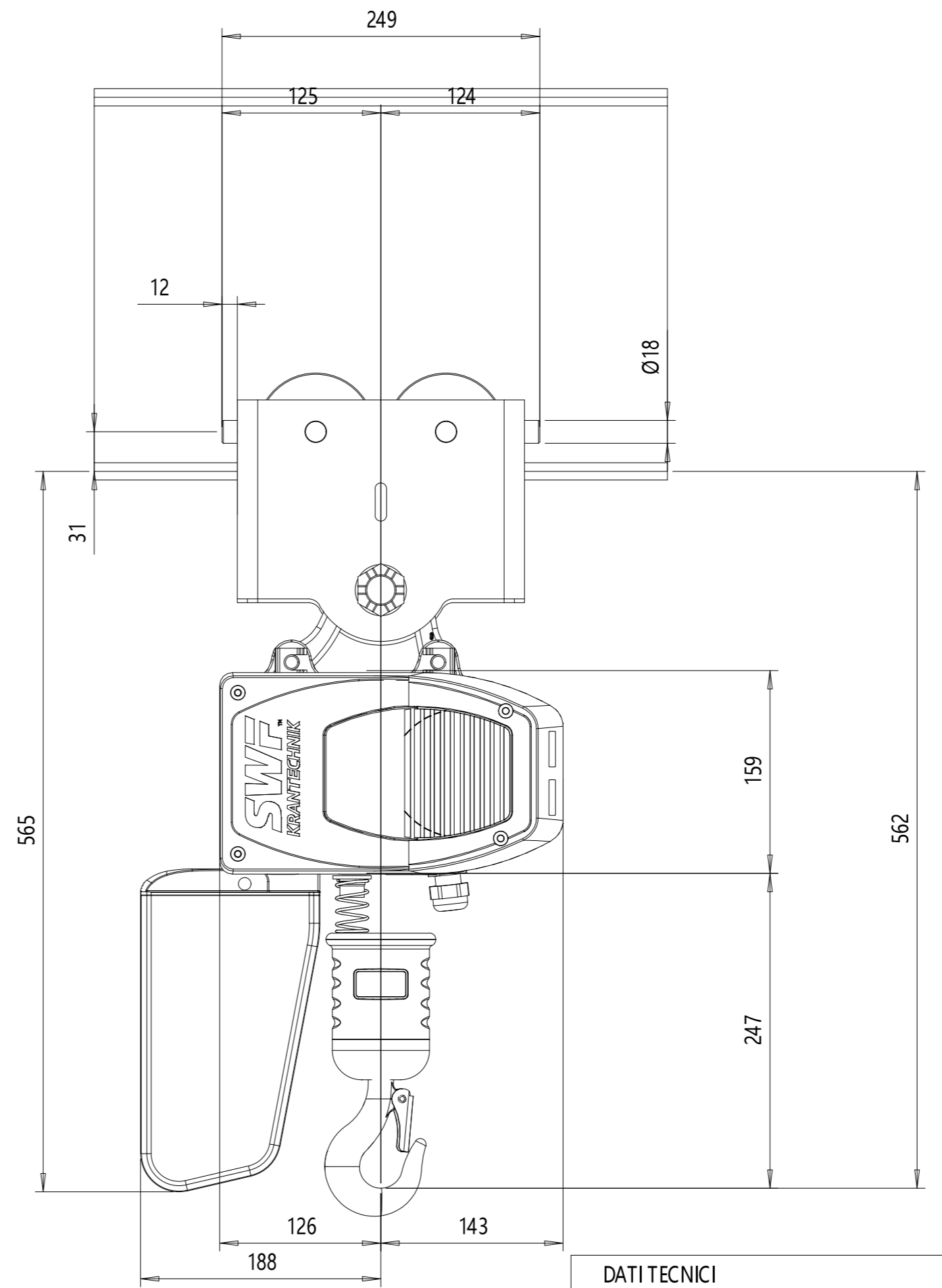
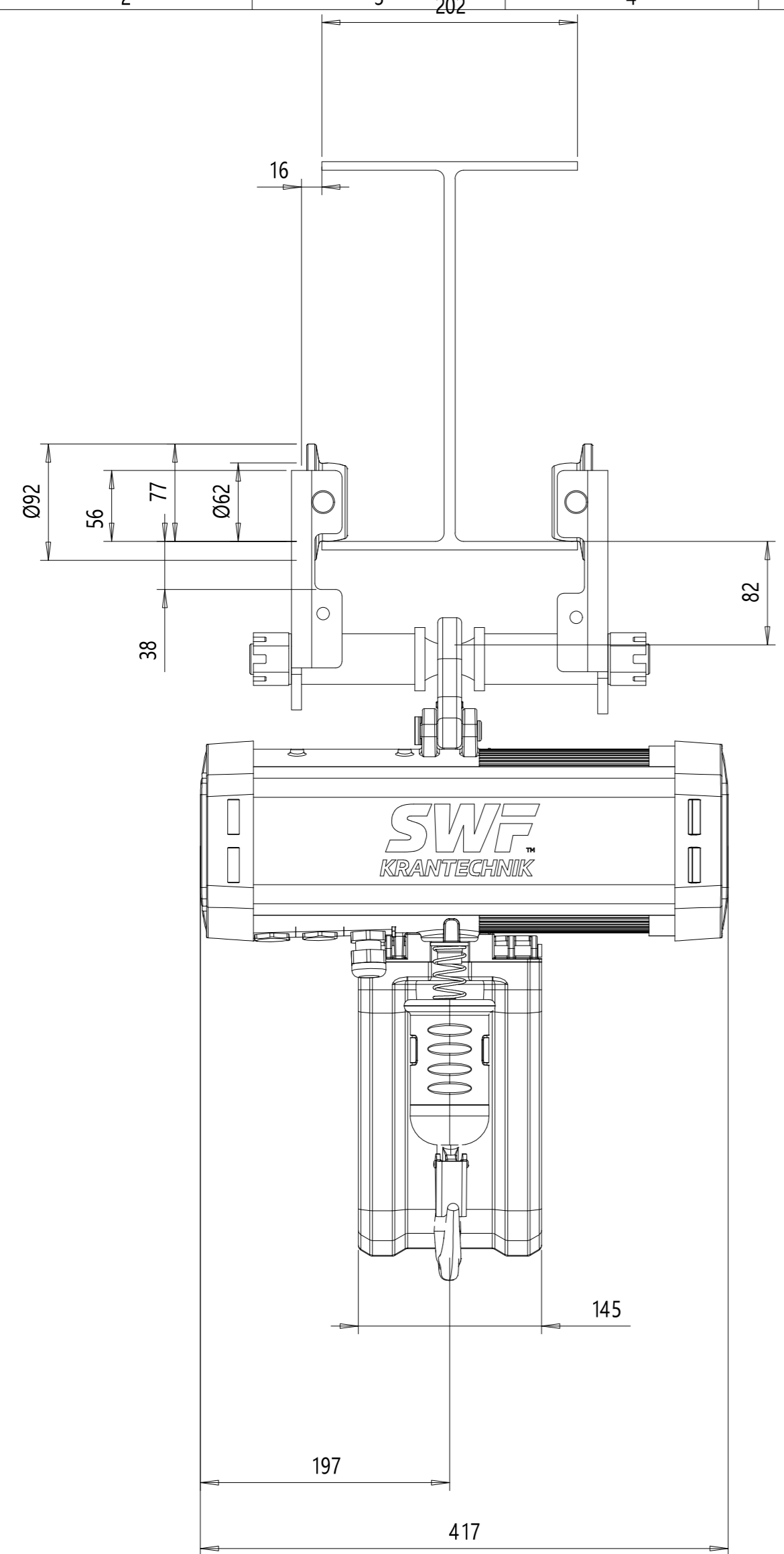


SWF Krantechnik reserves the right to alter or amend the above information without notice.  
 This document and the information contained herein, is the exclusive property of SWF Krantechnik and represents a non-patented  
 confidential and proprietary trade secret. It may not be reproduced, stored in a retrieval system, or transmitted in any  
 manner whatsoever without the express written consent of SWF Krantechnik GmbH. Copyright © SWF Krantechnik. All rights reserved.

Pos	Totale	Descrizione	Specifiche		
		smij pa/Italy			DAS / M@ngo
		Progetto	Chd	Appd	Ref disegno
		2021.05.31			Vx proj
		Data	-		
		Rep.	-		
		<b>SWF</b> KRANTECHNIK™			
		smij pa-000150-1-AA-086.1P-Y-O-HI			
					1:2.5
					M-film
					Scope

smij pa-000150-1-AB-045.2P-Y-O-H

REV	MODIFICA DESCRIZIONE	ECN	DATA	REVISIONATO DA	APPROVATO DA
-----	----------------------	-----	------	----------------	--------------



**DATI TECNICI**

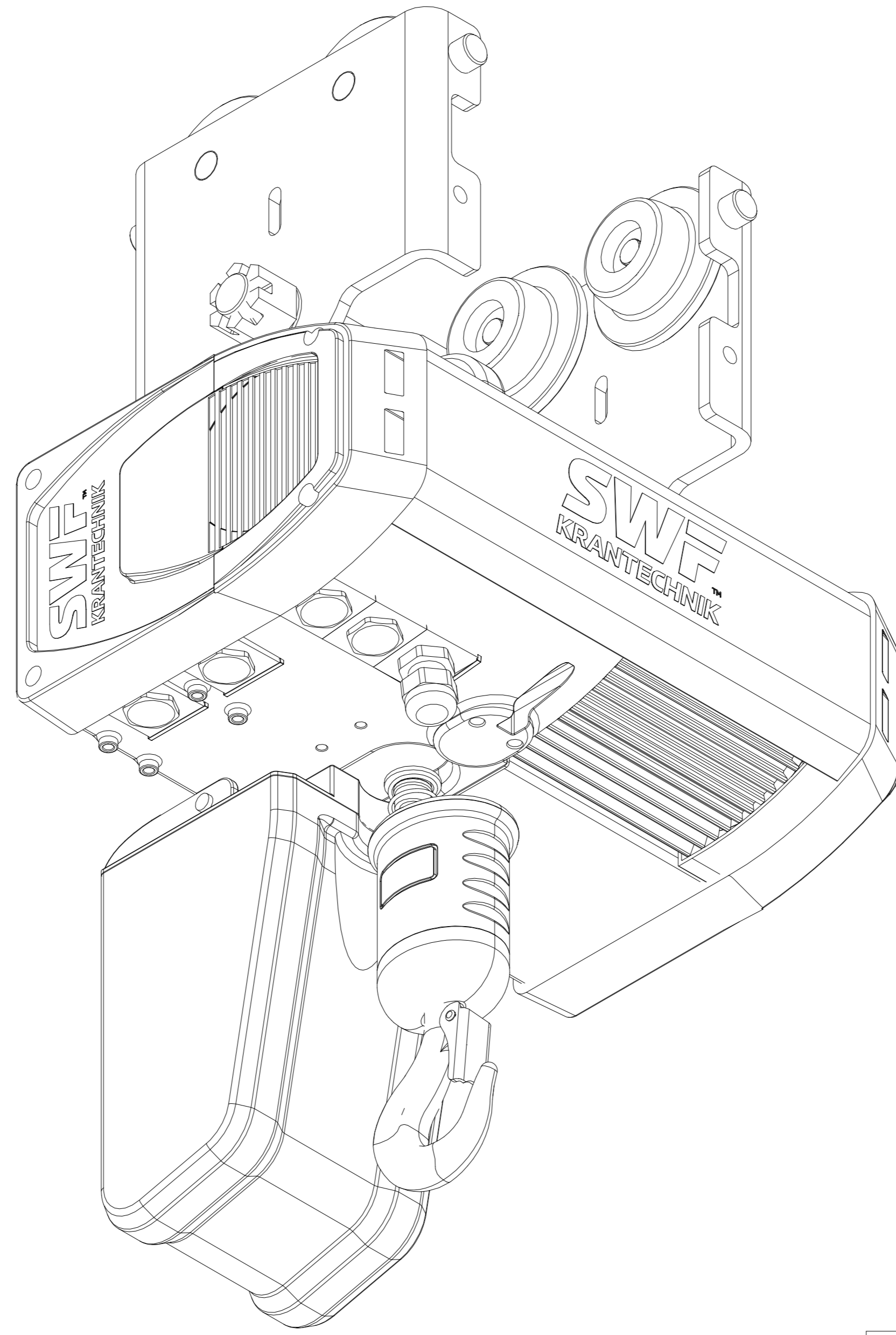
CARICO	: 1000 kg
ALZATA GANCIO	: 3 m
VELOCITÀ DI SOLLEVAMENTO	: 4 / 1 m/min
PESO DEL CARRELLO	: 42 kg
CLASSE PARANCO	: M5
ALIMENTAZIONE ELETTRICA	: 400 / 48 V; 50 Hz

Pos	Totale	Descrizione	Specifiche		
		smij pa/Italy	Chd	Appd	DAS / M@ngo
		Progetto			Vx proj
		2021.05.31			
		Data			
		Rep.			
Doppio		<b>SWF KRANTECHNIK</b>			1:4 M-Film
		smij pa-000150-1-AB-045.2P-Y-O-H			Scopo

SWF Krantechnik reserves the right to alter or amend the above information without notice.  
 This drawing and the information contained herein, is the exclusive property of SWF Krantechnik and represents a non-public  
 confidential and proprietary information. It is intended for the use of the recipient only. No part of this drawing may be reproduced  
 or transmitted in any form or by any means, electronic, mechanical, photocopying, recording, or by any information storage and  
 retrieval system, without the express written consent of SWF Krantechnik GmbH. Copyright © SWF Krantechnik. All rights reserved.

smij pa-000150-1-AB-045.2P-Y-O-HI

REV	MODIFICA DESCRIZIONE	ECN	DATA	REVISIONATO DA	APPROVATO DA
-----	----------------------	-----	------	----------------	--------------



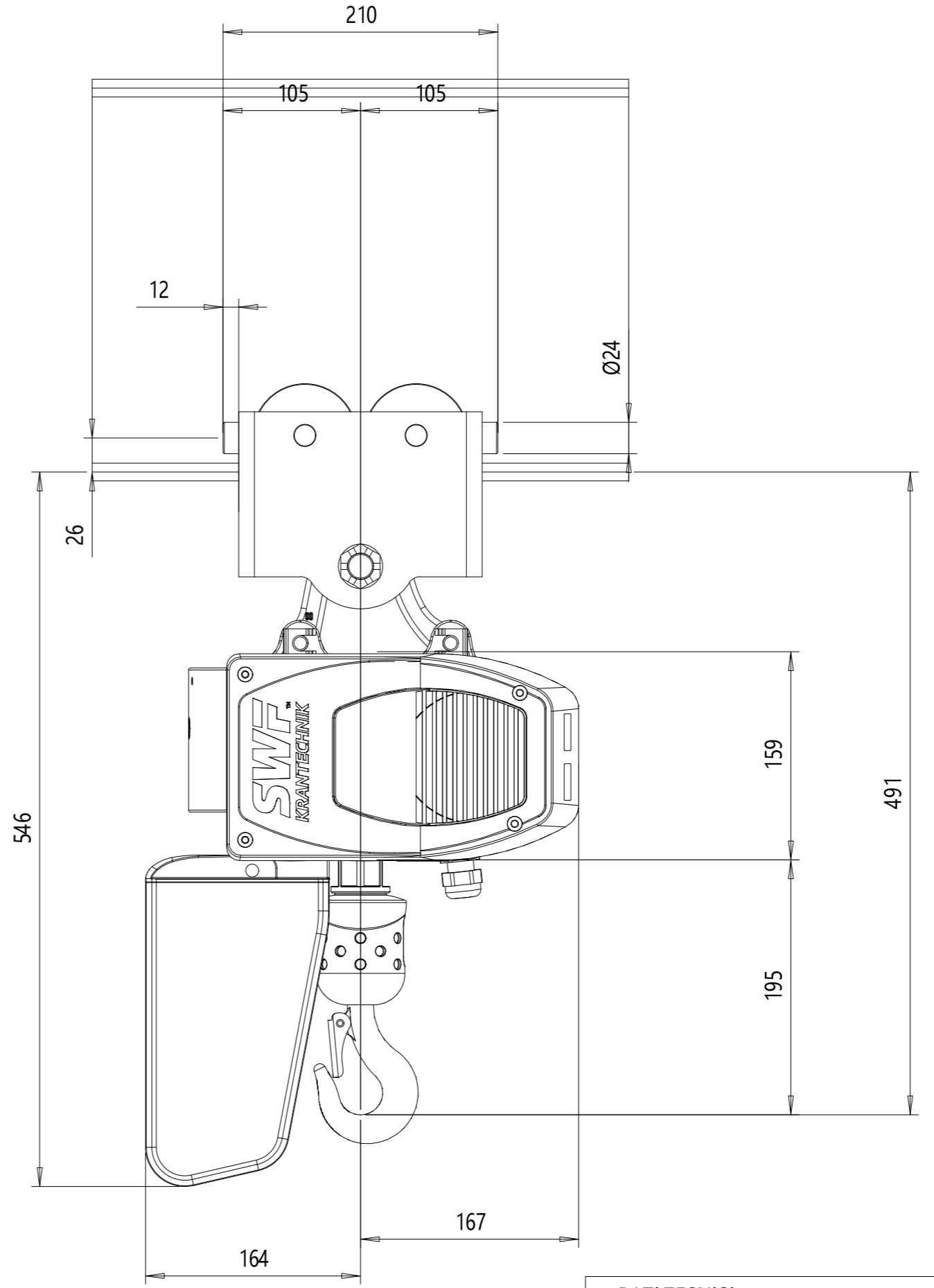
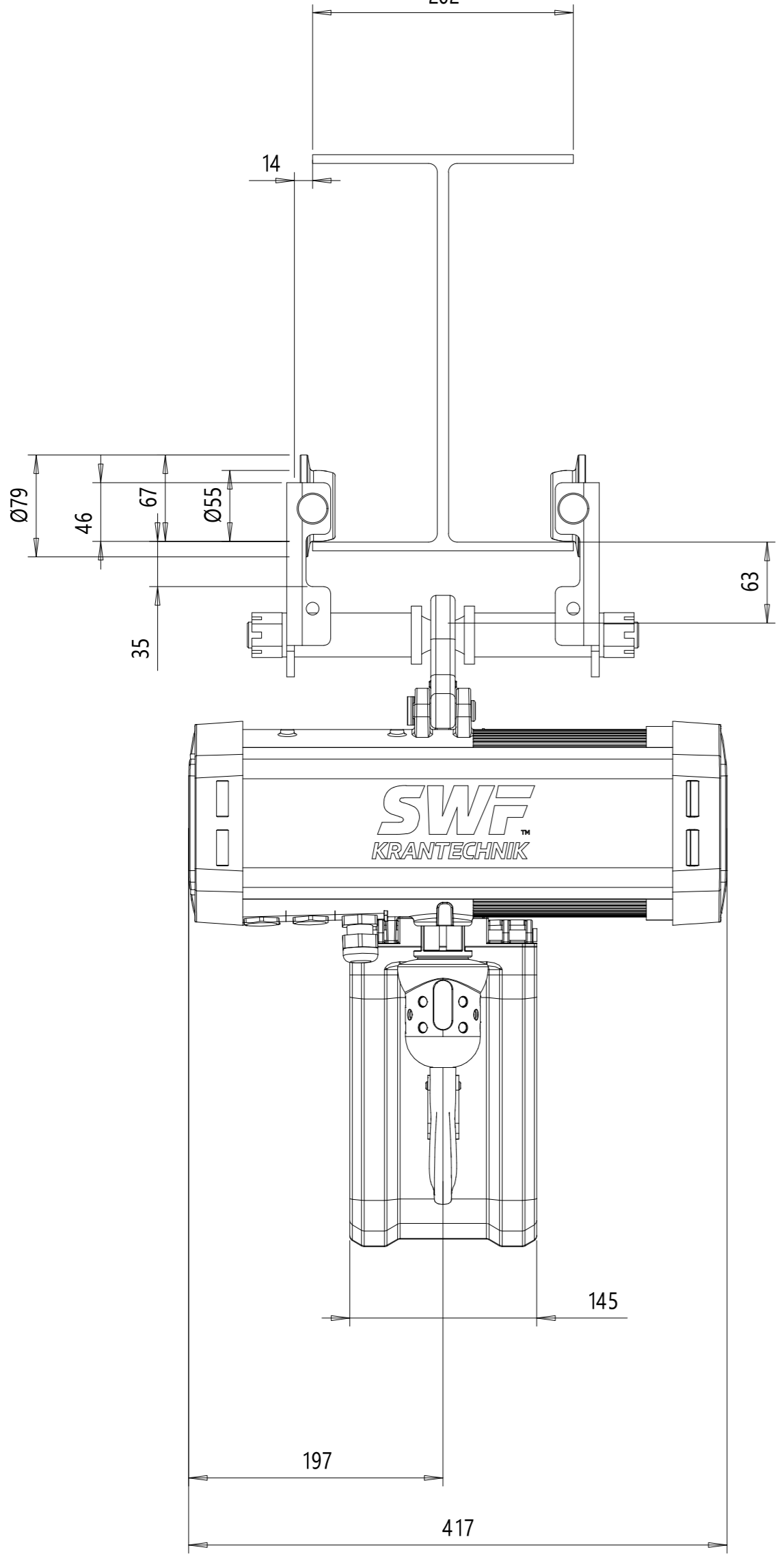
Pos	Totale	Descrizione	Specifiche		
		smij pa/Italy			DAS / M@ngo
		Progetto	Chd	Appd	Ref disegno
		2021.05.31			Vx proj
		Data	-		
		Rep.	-		
		<b>SWF</b> KRANTECHNIK™			
		smij pa-000150-1-AB-045.2P-Y-O-HI			

SWF Krantechnik reserves the right to alter or amend the above information without notice.  
 This document and the information contained herein, is the exclusive property of SWF Krantechnik and represents a non-patented  
 confidential and proprietary design secret may not be reproduced, stored in a retrieval system, or transmitted in any  
 manner whatsoever without the express written consent of SWF Krantechnik GmbH. Copyright © SWF Krantechnik. All rights reserved.



smij pa-000150-1-AB-085.1P-Y-O-H

REV	MODIFICA DESCRIZIONE	ECN	DATA	REVISIONATO DA	APPROVATO DA
-----	----------------------	-----	------	----------------	--------------

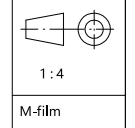


Pos		Totale	Descrizione	Specifiche	
-		smij pa/Italy	Progetto	Chd	Appd
-		2021.05.31	Data	Ref disegno	
-			Rep.	DAS / M@ngo	
-				Vx proj	

DATI TECNICI	
CARICO	: 500 kg
ALZATA GANCIO	: 3 m
VELOCITÀ DI SOLLEVAMENTO	: 8 / 2 m/min
PESO DEL CARRELLO	: 46 kg
CLASSE PARANCO	: M5
ALIMENTAZIONE ELETTRICA	: 400 / 48 V, 50 Hz



smij pa-000150-1-AB-085.1P-Y-O-H



1:4

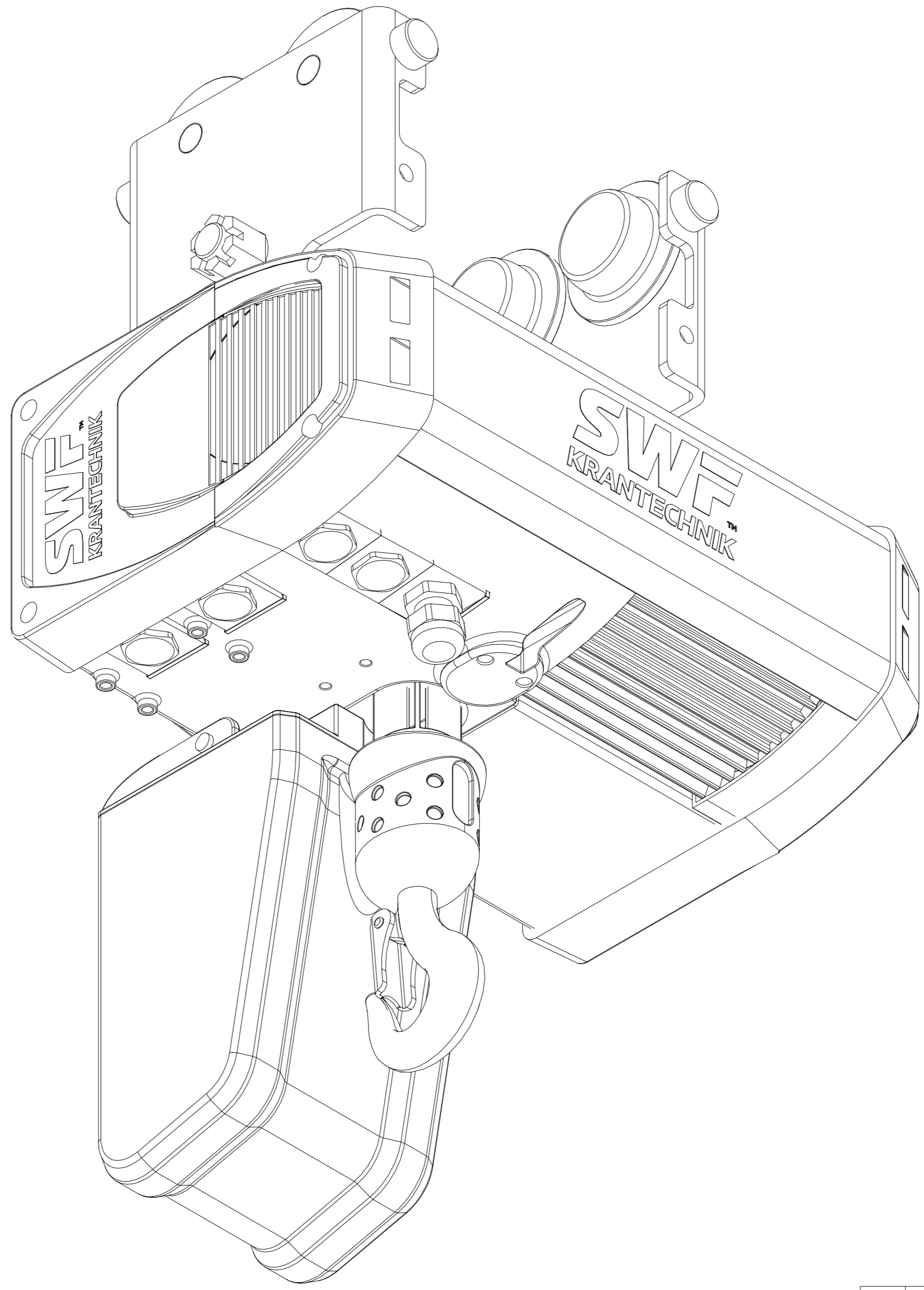
M-Film

Scopo

SWF Krantechnik reserves the right to alter or amend the above information without notice. This drawing and the information contained herein, is the exclusive property of SWF Krantechnik and represents a non-patented confidential and proprietary design. All rights reserved. No part of this drawing may be reproduced, stored in a retrieval system, or transmitted in any form or by any means, electronic, mechanical, photocopying, recording, or by any information storage and retrieval system, without the express written consent of SWF Krantechnik GmbH. Copyright © SWF Krantechnik. All rights reserved.

smij pa-000150-1-AB-085.1P-Y-O-HI

REV	MODIFICA DESCRIZIONE	ECN	DATA	REVISIONATO DA	APPROVATO DA
-----	----------------------	-----	------	----------------	--------------



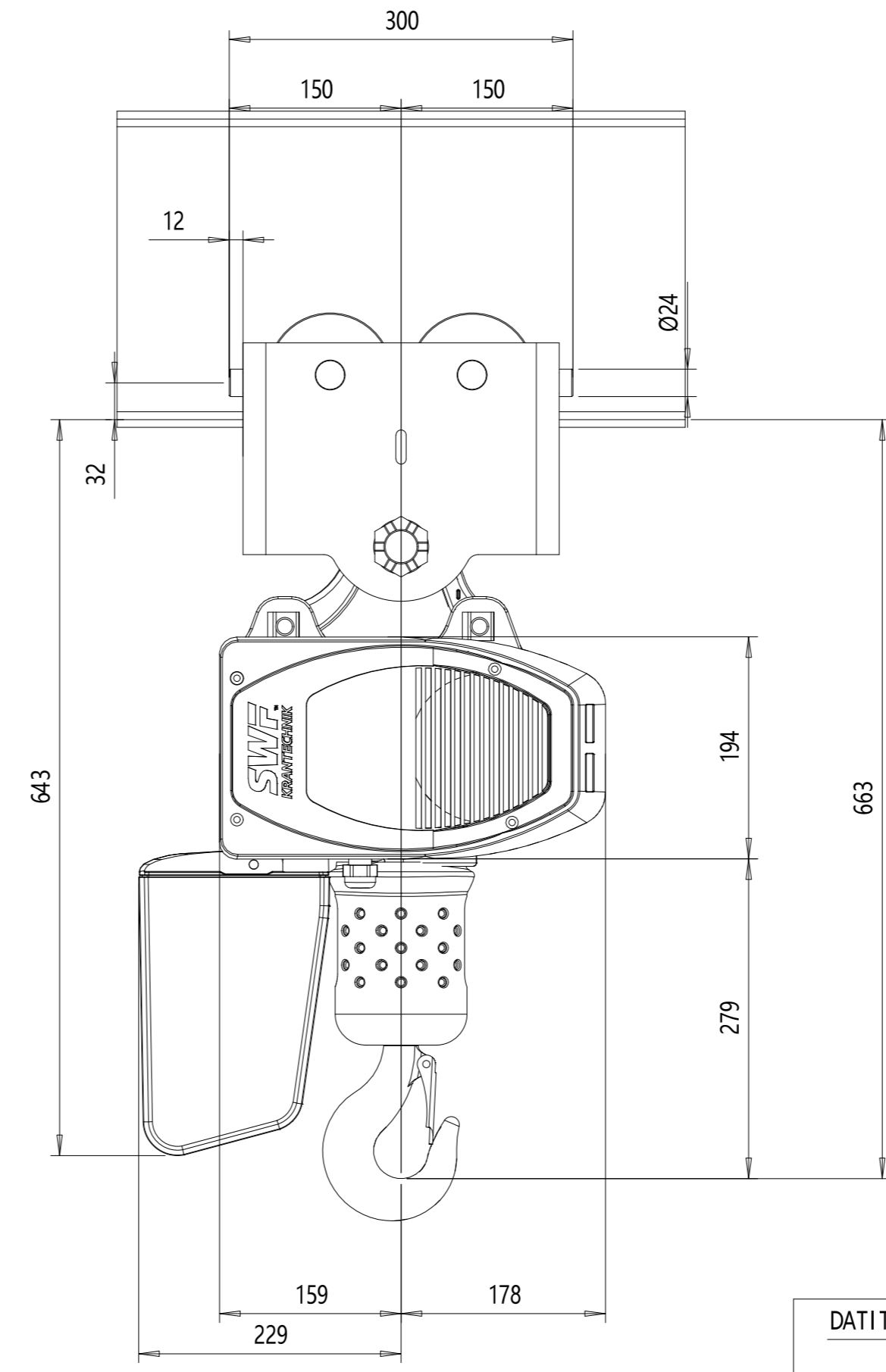
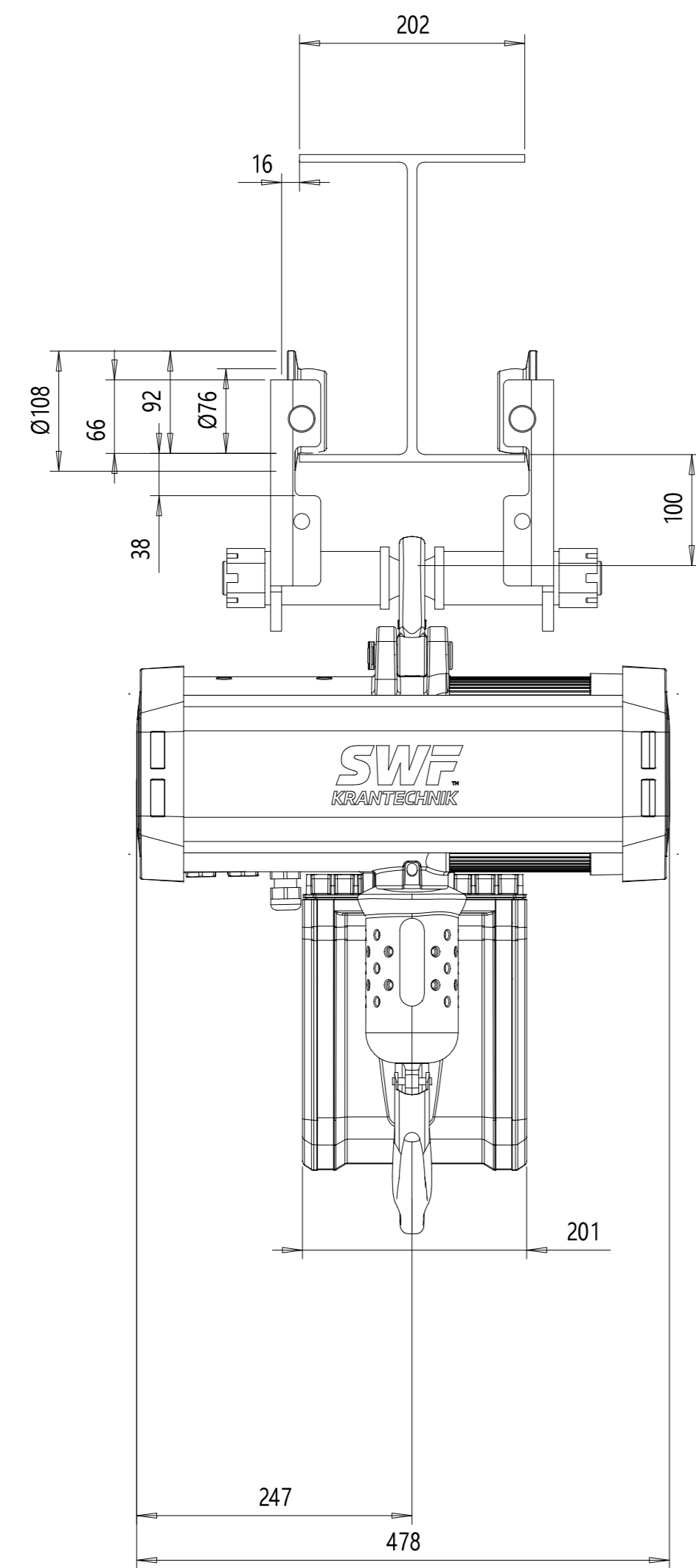
Pos	Totale	Descrizione	Specifiche		
		smij pa/Italy			DAS / M@ngo
		Progetto	Chd	Appd	Ref disegno
		2021.05.31			Vx proj
		Data	-		
		Rep.	-		
		<b>SWF</b> KRANTECHNIK			
		smij pa-000150-1-AB-085.1P-Y-O-HI			

SWF Krantechnik reserves the right to alter or amend the above information without notice.  
 This document and the information contained herein, is the exclusive property of SWF Krantechnik and represents a non-patented  
 confidential and proprietary trade secret. It may not be reproduced, stored in a retrieval system, or transmitted in any  
 manner whatsoever without the express written consent of SWF Krantechnik GmbH. Copyright © SWF Krantechnik. All rights reserved.

Doppio  
 1:2.5  
 M-film  
 Scope

smij pa-000150-1-AC-045.2P-Y-O-H

REV	MODIFICA DESCRIZIONE	ECN	DATA	REVISIONATO DA	APPROVATO DA
-----	----------------------	-----	------	----------------	--------------



**DATI TECNICI**

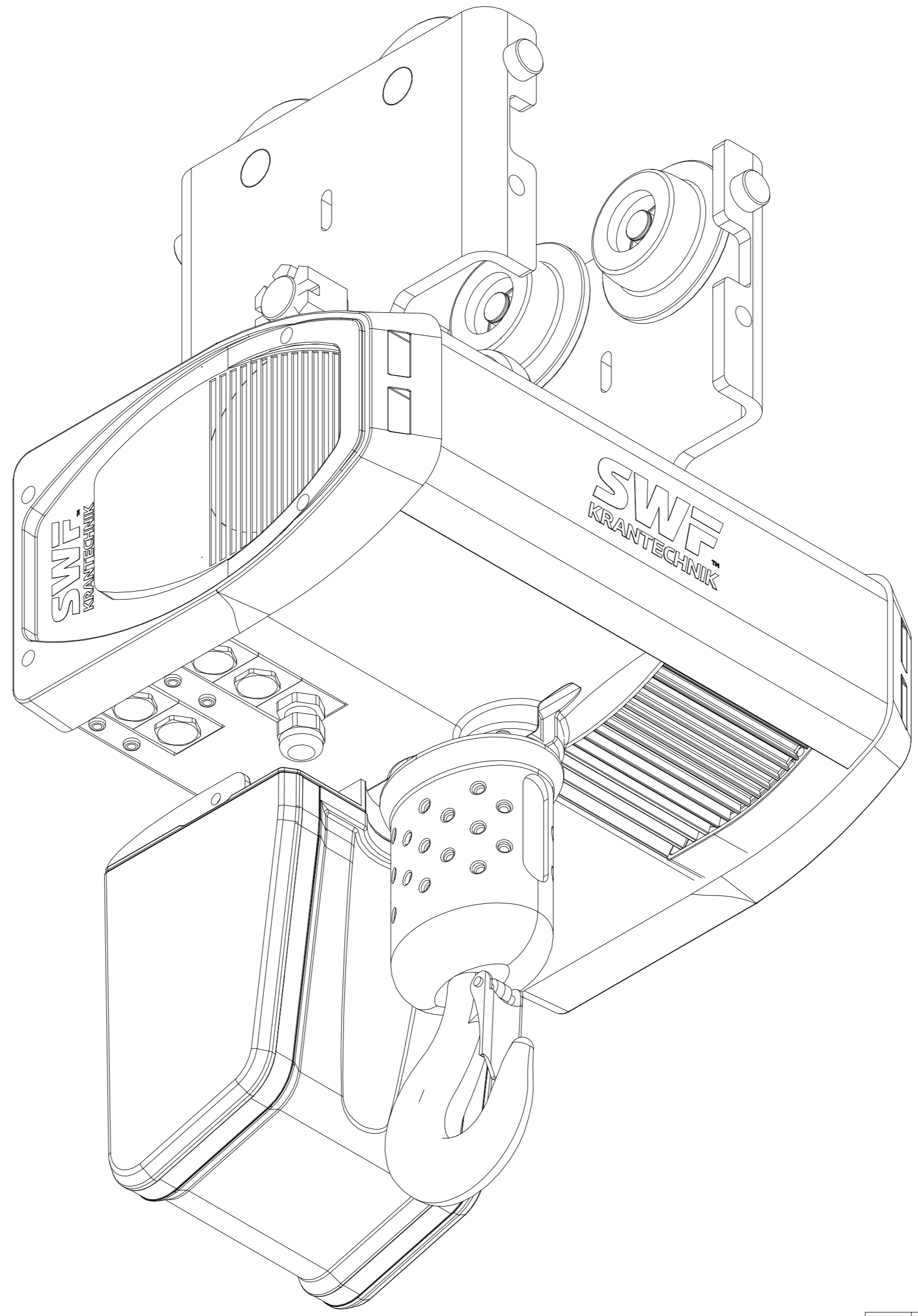
CARICO	: 2000 kg
ALZATA GANCIO	: 3 m
VELOCITÀ DI SOLLEVAMENTO	: 4 / 1 m/min
PESO DEL CARRELLO	: 80 kg
CLASSE PARANCO	: M5
ALIMENTAZIONE ELETTRICA	: 400 / 48 V, 50 Hz

Pos	Totale	Descrizione	Specifiche		
		smij pa/Italy	Chd	Appd	DAS / M@ngo
		Progetto			Vx proj
		2021.05.31			
		Data			
		Rep.			
Doppio		<b>SWF</b> KRANTECHNIK			
		smij pa-000150-1-AC-045.2P-Y-O-H			Scopo

SWF Krantechnik reserves the right to alter or amend the above information without notice. This document and the information it contains are the exclusive property of SWF Krantechnik and represent a non-public, confidential and proprietary trade secret that may not be disclosed, copied or otherwise employed in any manner whatsoever without the express written consent of SWF Krantechnik GmbH. Copyright © SWF Krantechnik. All rights reserved.

smij pa-000150-1-AC-045.2P-Y-O-HI

REV	MODIFICA DESCRIZIONE	ECN	DATA	REVISIONATO DA	APPROVATO DA
-----	----------------------	-----	------	----------------	--------------



Pos	Totale	Descrizione	Specifiche		
		smij pa/Italy			DAS / M@ngo
		Progetto	Chd	Appd	Ref disegno
		2021.05.31			Vx proj
		Data	-		
		Rep.	-		
		<b>SWF</b> KRANTECHNIK™			
		smij pa-000150-1-AC-045.2P-Y-O-HI			
					1:2.5
					M-film
					Scope

SWF Krantechnik reserves the right to alter or amend the above information without notice.  
 This document and the information contained herein, is the exclusive property of SWF Krantechnik and represents a non-patented  
 confidential and proprietary trade secret. It may not be reproduced, stored in a retrieval system, or transmitted in any  
 manner whatsoever without the express written consent of SWF Krantechnik GmbH. Copyright © SWF Krantechnik. All rights reserved.